

**EPSON**

ALL-IN-ONE

**STYLUS PHOTO RX620**

# Quick Guide

## Copyright Notice

All rights reserved. No part of this publication may be reproduced, stored in a retrieval system, or transmitted in any form or by any means, electronic, mechanical, photocopying, recording, or otherwise, without the prior written permission of Seiko Epson Corporation. The information contained herein is designed only for use with this Epson product. Epson is not responsible for any use of this information as applied to other equipment.

Neither Seiko Epson Corporation nor its affiliates shall be liable to the purchaser of this product or third parties for damages, losses, costs, or expenses incurred by purchaser or third parties as a result of: accident, misuse, or abuse of this product or unauthorized modifications, repairs, or alterations to this product, or (excluding the U.S.) failure to strictly comply with Seiko Epson Corporation's operating and maintenance instructions.

Seiko Epson Corporation shall not be liable for any damages or problems arising from the use of any options or any consumable products other than those designated as Original Epson Products or Epson Approved Products by Seiko Epson Corporation.

## Responsible Use of Copyrighted Materials

Digital cameras, scanners, and ink jet printers, like conventional photocopiers and cameras, can be misused by improper copying or printing of copyrighted material. While some countries' laws permit limited copying of copyrighted material in certain circumstances, those circumstances may not be as broad as some people assume. Epson encourages each user to be responsible and respectful of the copyright laws when using digital cameras, scanners, and ink jet printers.

## Trademarks

Epson, Epson Stylus, MicroWeave, and Epson Photo Stickers are registered trademarks and EPSON Smart Panel, PRINT Image Matching, and the PRINT Image Matching logo are trademarks of Seiko Epson Corporation.

ColorLife is a registered trademark; PhotoEnhance is a trademark; and Epson Connection, Epson Store, and SoundAdvice are service marks of Epson America, Inc.

General Notice: Other product names used herein are for identification purposes only and may be trademarks of their respective owners. Epson disclaims any and all rights in those marks.

## Warnings, Cautions, Notes, and Tips

Please follow these guidelines when reading this manual:

**Warning:** Warnings must be followed carefully to avoid bodily injury.

**Caution:** Cautions must be observed to avoid damage to your equipment.

**Note:** Notes contain important information about your product.

**Tip:** Tips contain hints for better copying, scanning, and printing.

# Contents

<b>Copying</b> . . . . .	<b>7</b>
Loading Paper . . . . .	7
Copying Text and Graphics . . . . .	9
Copying a Photo . . . . .	11
Selecting a Copy Layout . . . . .	13
Making Prints From Slides or Negatives . . . . .	15
Removing the Document Mat and Film Holder . . . . .	15
Placing 35-mm Slides in the Holder . . . . .	16
Placing 35-mm Film Strips in the Holder . . . . .	17
Scanning and Printing Your Photos . . . . .	18
Restoring Color From Faded Slides, Negatives, and Photos . . . . .	20
Restoring Slides or Negatives . . . . .	20
Restoring 4 × 6 Photos . . . . .	20
<b>Making Prints From Your Digital Camera</b> . . . . .	<b>23</b>
Compatible Memory Cards . . . . .	23
Inserting Your Camera's Memory Card . . . . .	24
Quick Printing of 4 × 6-inch Snapshots . . . . .	25
Custom Printing Your Photos . . . . .	26
Selecting Your Paper and Making the Correct Paper Type Setting . . . . .	28
Selecting the Layout . . . . .	29
Selecting Special Print Settings . . . . .	29
Using DPOF to Select Your Photos . . . . .	31
Restoring Default Settings . . . . .	31
Printing From an Index Sheet . . . . .	32
Selecting Photos From the Index Sheet . . . . .	33
Connecting Your Camera Directly . . . . .	34
Cropping a Photo . . . . .	36

<b>Scanning to a Memory Card</b> .....	<b>39</b>
Inserting a Memory Card .....	<b>39</b>
Scanning a Photo .....	<b>40</b>
Scanning Film or Slides .....	<b>41</b>
Removing the Film Holder and Document Mat .....	<b>42</b>
Placing 35-mm Slides in the Holder .....	<b>43</b>
Placing 35-mm Film Strips in the Holder .....	<b>44</b>
Scanning and Saving to Your Memory Card .....	<b>45</b>
 <b>Saving and Storing Photos</b> .....	 <b>47</b>
Copying Photos to Your Computer .....	<b>47</b>
Configuring PhotoStarter .....	<b>48</b>
Copying Photos to a USB Drive .....	<b>50</b>
Printing Your Stored Photos .....	<b>51</b>
Removing a Memory Card .....	<b>52</b>
 <b>Maintaining Your RX620</b> .....	 <b>53</b>
Replacing Ink Cartridges .....	<b>53</b>
Checking the Ink Supply .....	<b>53</b>
Purchasing Ink Cartridges .....	<b>54</b>
Removing and Installing Ink Cartridges .....	<b>55</b>
Checking and Cleaning and Print Head .....	<b>58</b>
Checking the Print Head .....	<b>58</b>
Cleaning the Print Head .....	<b>59</b>
Aligning the Print Head .....	<b>59</b>

<b>Solving Problems</b> . . . . .	<b>61</b>
Problems and Solutions . . . . .	61
Setup and Software Installation Problems . . . . .	61
Printing and Copying Problems . . . . .	63
Scanning Problems . . . . .	64
Paper Feed Problems . . . . .	65
Print Quality Problems . . . . .	66
Miscellaneous Printing Problems . . . . .	68
Scan Quality Problems . . . . .	69
RX620 Screen Problems . . . . .	71
Where To Get Help . . . . .	72
Epson Support . . . . .	72
Other Software Technical Support . . . . .	73
<b>Notices.</b> . . . .	<b>75</b>
Important Safety Instructions . . . . .	75
Ink Cartridge Safety Instructions . . . . .	76
LCD Panel Safety Instructions . . . . .	77
FCC Compliance Statement . . . . .	77
Declaration of Conformity . . . . .	78
ENERGY STAR Compliance . . . . .	79
Epson America, Inc. Limited Warranty . . . . .	79
<b>Index</b> . . . . .	<b>83</b>



# Copying

You can use your Epson Stylus® Photo RX620 to copy materials such as newspaper clippings, scrapbooking elements, and 4 × 6 photos, without using a computer. Make beautiful color copies of your existing photos—or use the included film holder to make photo reprints directly from 35-mm slides and negatives. If you have photos that have become faded over time, you can even bring them back to life with Color Restoration.

See these sections:

- “Loading Paper” below
- “Copying Text and Graphics” on page 9
- “Copying a Photo” on page 11
- “Making Prints From Slides or Negatives” on page 15
- “Restoring Color From Faded Slides, Negatives, and Photos” on page 20

---

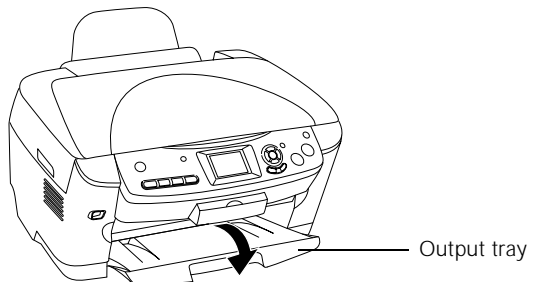
## Loading Paper

Epson® offers an extensive line of specialty papers that provide outstanding results when used with Epson printers and ink. See the inside back cover for a complete list of papers that work with your printer. If you need help making a selection, see the *Start Here* sheet for some useful tips, or check online at [www.epson.com](http://www.epson.com).

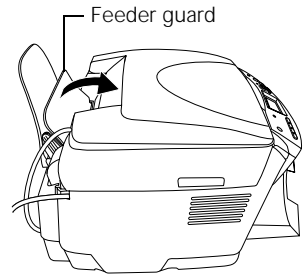
**Note:**

Epson paper is designed to work with Epson printers and ink. If you use different brands, you may not get the results you expect.

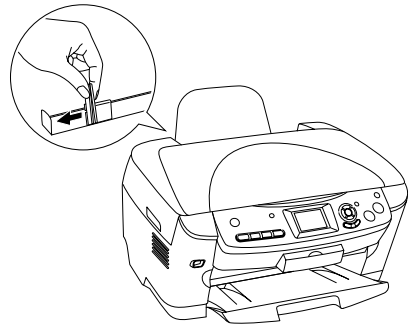
1. Open the output tray.



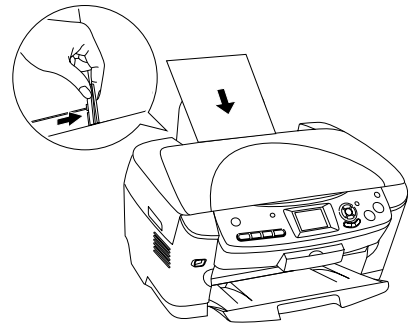
2. Flip the feeder guard forward.



3. Slide the edge guide to the left.



4. Load your paper and slide the edge guide lightly against it. Never load more sheets than can fit under the arrow mark on the edge guide.



**Note:**

If you're using special Epson paper, follow any instructions that came with it. For example, some types of paper should be loaded only one sheet at a time. See your on-screen *Reference Guide* for details.

To ensure good results, always:

- Load paper with the printable side up (it's usually whiter or brighter).
- Check the RX620's Paper Type setting before printing to make sure it matches the type of paper you've loaded (see page 12).




---

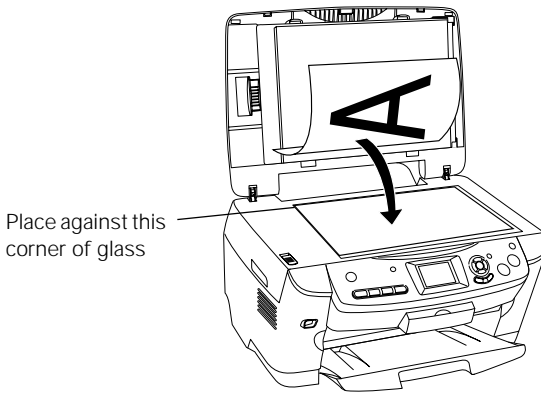
# Copying Text and Graphics

Here's how to copy materials that include a combination of text and graphics. You can copy black-and-white materials such as books, forms, and newspaper clippings—or materials with colorful graphic designs such as magazine articles, school projects, and scrapbooking elements.

**Tip:**

Plain photocopier paper works well for making everyday copies. For crisper text and more vivid colors, try Epson Premium Bright White Paper or Photo Quality Ink Jet Paper. These papers provide superior yet affordable results for day-to-day business and personal printing needs.

1. Press the  On button to turn on the RX620.
1. Load several sheets of letter-size (8.5 × 11 inch) paper, as described on page 7.
2. Open the scanner lid and place your document face-down as shown.



3. Close the scanner lid.

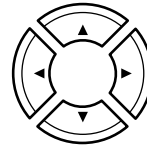
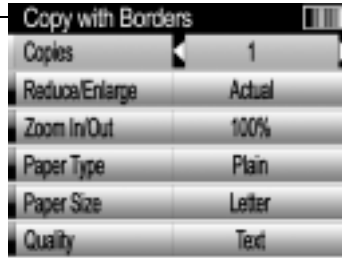
**Tip:**

If the edges of your original are important, slide the document about 1/8 inch away from the edges of the glass to ensure that the entire document is copied.

To copy a thick document, such as a book, lift or remove the scanner lid. Make sure your original lies flat on the glass.

4. Press the Copy button. You see this screen:

Confirm the layout setting at the top of the screen (see step 5 below)



Arrow buttons

**Note:**

The RX620 retains the last settings you used, so always check them to make sure they're the ones you want to copy with.

5. Check the layout setting at the top of the screen and make sure Borderless Copy does not appear. You cannot make plain paper copies using a borderless layout (it's only for printing on selected types of Epson photo paper).

If necessary, press the Copy Options button and change Copy Layout to a different option, such as Copy w/Borders. (See page 13 for more layout options.) Then press OK to apply the new setting.

6. Use the ▲, ▼, ◀, and ▶ buttons to select these settings:

- Copies: Print from 1 to 99 copies.
- Reduce/Enlarge: Print your scanned material at its original size (Actual) or adjust it to fit the selected paper size (Auto Fit Page).
- Zoom In/Out: Resize the original by a specific amount (25% to 400%).
- Paper Type: Select Plain.
- Paper Size: Letter is automatically selected. (You can't change this setting when plain paper is chosen as the Paper Type.)
- Quality: Make quick copies (Draft) or quality copies of text and graphics (Text).

7. Press the ◊ Color button (for color copies) or the ◊ B&W button (for black-and-white copies). Your document is copied.

To cancel a copy job in progress, press the ⊘ Stop button.

**Tip:**

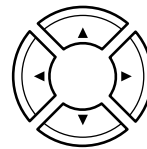
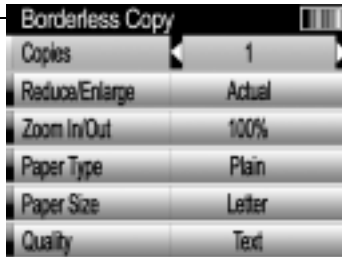
If you need to make your copies lighter or darker, press the Copy Options button and adjust the Copy Density. Press OK when done to apply the setting.

# Copying a Photo

To print long-lasting photos with a professional finish, choose an Epson paper specially designed for printing photos. Many different sizes and paper types are available (see the inside back cover). To print beautiful photos without white borders around the edges, try using a borderless layout (available only when printing on 4 × 6-inch, 5 × 7-inch, 8 × 10-inch, and letter-size Epson paper).

1. Load your paper, then place your original on the scanner glass (see page 9).
2. Press the Copy button. You see this screen:

Confirm the layout setting at the top of the screen (see step 3 below)



Arrow buttons

3. Check the layout setting at the top of the screen and make sure it's the one you want to use (see pages 13 and 14 for layout options). If you want to print your photo without white borders, make sure Borderless Copy is shown.

If necessary, press the Copy Options button and change Copy Layout to the desired setting. Then press OK to apply the setting.

4. Use the ▲, ▼, ◀, and ▶ buttons to select these settings:

- Copies: Print from 1 to 99 copies.
- Reduce/Enlarge: For borderless printing, select Auto Fit Page.

Otherwise, select Actual to print your photo at its original size; or resize the image to fit various common paper sizes:

Letter → 4 × 6

Letter → 5 × 7

4 × 6 → 8 × 10

4 × 6 → Letter

5 × 7 → Letter

8 × 10 → 5 × 7

- Zoom In/Out: Resize the original by a specific amount (25% to 400%).

- **Paper Type:** Select the setting for the type of paper you've loaded:

If you've loaded this paper . . .	Select this setting
Plain paper Epson Premium Bright White Paper Epson Photo Quality Ink Jet Paper Epson Iron-On Transfer Paper Epson Photo Quality Self Adhesive Sheets Epson Photo Quality Ink Jet Cards	Plain
Epson Premium Glossy Photo Paper Epson Photo Stickers® Epson Ink Jet Transparencies	Prem. Glossy
Epson Glossy Photo Paper Epson Photo Paper Epson All-Purpose Glossy Paper Epson Glossy Photo Greeting Cards	Glossy Photo
Epson Premium Semigloss Photo Paper	SemiGloss
Epson Premium Luster Photo Paper	Prem. Luster
Epson Matte Paper Heavyweight Epson Double-Sided Matte Paper PremierArt™ Matte Scrapbook Photo Paper for Epson	Matte
Epson ColorLife® Photo Paper Epson Semigloss Scrapbook Photo Paper	Color Life


- **Paper Size:** Select the size of paper you've loaded.

- **Quality:** Select Photo or Best Photo.

5. Press the  **Color** button. Your photo is printed.

To cancel printing, press the  **Stop** button.

**Tip:**

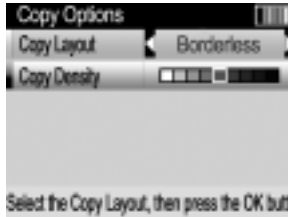
For best results, press the  **Color** button even if you're printing black-and-white photos. Color inks can be combined for improved results over black ink alone.

If you need to make your prints lighter or darker, press the **Copy Options** button and adjust the **Copy Density**. Press **OK** when done to apply the setting.

# Selecting a Copy Layout



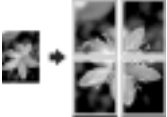
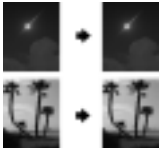


Whether you're copying a newspaper clipping or a photograph, your RX620 lets you print your copies using a variety of layouts.

1. After pressing the Copy button, press the Copy Options button. You see this screen:



2. Use the ▲, ▼, ◀, and ▶ buttons to choose one of these layout options, then press OK.

Copy Layout setting	Result
<p><b>Copy w/Borders</b></p> <p>Copies your original with a standard 0.12-inch (3 mm) margin</p>	
<p><b>Borderless*</b></p> <p>Copies your original to the edges of 4 x 6-, 5 x 7-, 8 x 10-inch, or letter-size paper (your photo is slightly cropped at the edges)</p>	
<p><b>Small Margins</b></p> <p>Copies your original with a 0.06-inch (1.5 mm) border around the edges</p>	
<p><b>Repeat</b></p> <p>Prints a photo multiple times on one sheet: select 4, 9, or 16 photos per sheet, or <b>Auto</b> to print a photo as many times as will fit</p>	

Copy Layout setting	Result
<p><b>2-up</b> Copies two originals onto one sheet</p>	
<p><b>4-up</b> Copies four originals onto one sheet</p>	
<p><b>Poster</b> Prints your original on separate sheets (4, 9, or 16) that you can paste together to make a large poster</p>	
<p><b>Multi Photo</b> Copies multiple photos at once and makes a separate print for each one (follow the instructions on the RX620 screen); also provides color restoration (see page 20)</p>	
<p><b>Mirror</b> Copies a mirror image of your photo onto transfer paper so that you can iron it onto a shirt or other cloth article</p>	
<p><b>Wallet Photo</b> Prints nine wallet-size copies of the photo on the page</p>	

\* Borderless copying is available only when you're using Epson paper in the sizes listed. If you notice reduced print quality at the bottom of your print, try using a layout with borders.

---

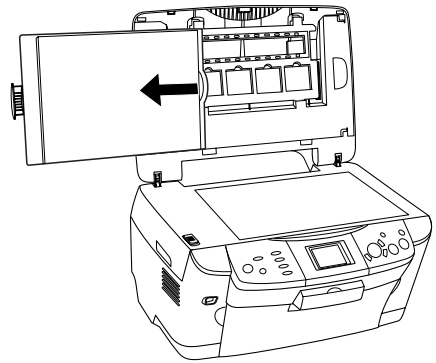
# Making Prints From Slides or Negatives

You can use the film holder that came with your Stylus Photo RX620 to scan 35-mm slides or strips of negative and positive film. To get professional results that look and feel like traditional photos, try one of these special Epson papers:

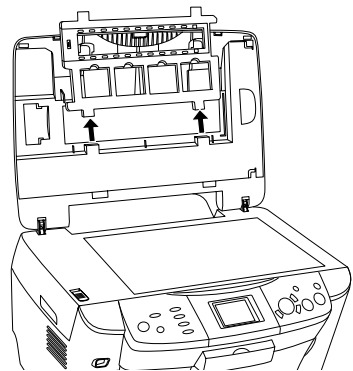
- Premium Glossy Photo Paper—available in sizes perfect for displaying in your photo album or sharing with family and friends
- ColorLife Photo Paper—lets you create framable, fade-resistant portraits with a beautiful satin finish

## *Removing the Document Mat and Film Holder*

1. Open the scanner lid and remove the document mat.



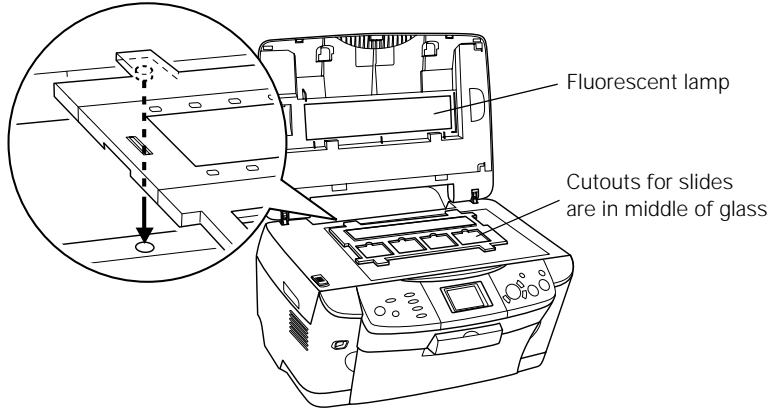
2. If you've stored the film holder in the scanner lid, remove it as shown.



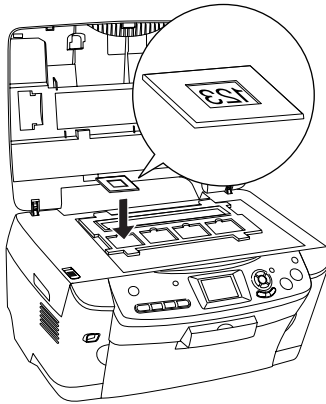
3. Place your film in the holder as described on the following pages.

## Placing 35-mm Slides in the Holder

1. Fit the holder's tabs into the two small holes at the rear edge of the glass. Make sure the cutouts for 35-mm slides are in the middle of the glass (not at the rear edge) to align them with the fluorescent lamp when you close the lid.



2. Place your slides in the film holder as shown.



### Note:

The photos should be mirror-imaged when viewed from overhead. (The shinier side faces down; the duller side faces up.)

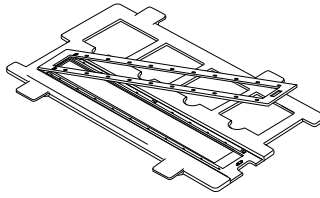
To avoid unnecessary cropping of your photos, always place your slides with the wider part of the film width-wise on the glass (in landscape orientation).

Continue with the steps on page 18 to scan and print your photos.

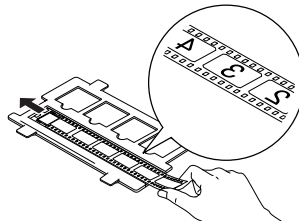


# Placing 35-mm Film Strips in the Holder

1. Remove the film strip cover.



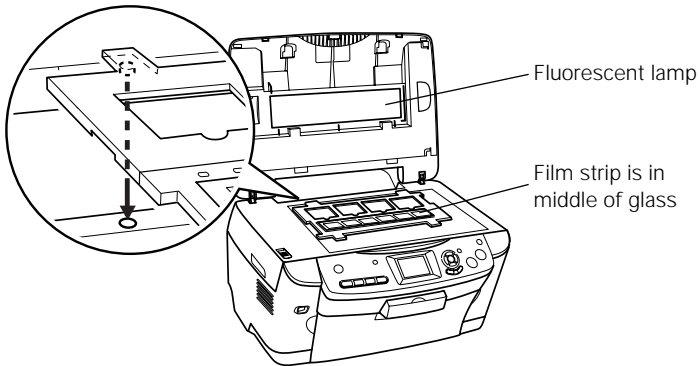
2. Slide your film strip into the holder.



**Note:**

The photos should be mirror-imaged when viewed from overhead. (The shinier side faces down; the duller side faces up.)

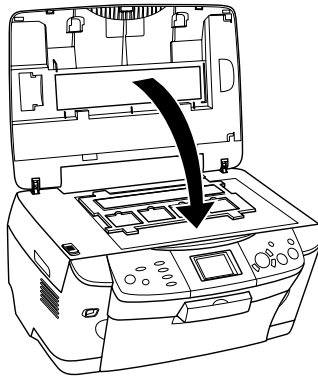
3. Replace the film strip cover.
4. Fit the holder's tabs into the two small holes at the rear edge of the glass. Make sure the film strip is in the middle of the glass (not at the rear edge) to align it with the fluorescent lamp when you close the lid.



Continue with the steps in the next section to scan and print your photos.

# Scanning and Printing Your Photos

1. Close the scanner lid.

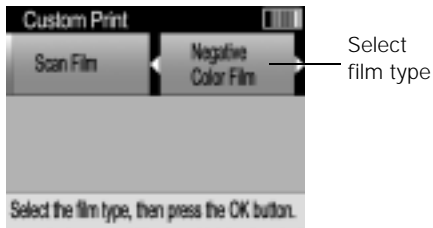


2. Press the Copy Slide/Neg button.

**Note:**

Do not press the Copy button, or the film holder will be printed instead of the film.

3. Select Custom Print, then press OK. You see this screen:



4. If you're scanning slides, select Positive Color Film (Slide). If you're scanning a film strip, select one of these options:

- Negative Color Film (used in most cases)
- Negative B&W Film
- Positive Color Film (Strip)

Press OK after making your selection.

The RX620 displays your first photo on its screen:



5. Use the ◀ and ▶ buttons to preview each of your remaining photos.
6. While a photo is being displayed, use the ▲ and ▼ buttons to select how many copies of it you'd like to make.
7. When you're done selecting all the photos you want to print, press OK.
8. On the next screen, use the ▲, ▼, ◀, and ▶ buttons to make these settings:
  - Paper Type: Select the setting for the type of paper you've loaded (see page 12).
  - Paper Size: Select the size of paper you've loaded.
  - Quality: Select Photo or Best Photo.
  - Restoration: Turn on to restore color to faded slides or negatives (see page 20).
  - Layout: If you want to print without white borders around the edges, choose Borderless. Otherwise choose With Border.

**Note:**

Borderless printing is available only for Epson papers in these sizes: 4 × 6-inch, 5 × 7-inch, 8 × 10-inch, and letter-size.

Whether you print with or without borders, your photos will be slightly cropped because 35-mm film has different proportions than those of the paper you're printing on.

9. Press the ◊ Color button to begin printing your photos.

To cancel printing, press the ⊗ Stop button.

**Tip:**

For best results, press the ◊ Color button even if you're printing black-and-white photos. Color inks can be combined for improved results over black ink alone.

---

# Restoring Color From Faded Slides, Negatives, and Photos

If you have slides, negatives, or 4 × 6-inch photos that have become faded over time, you can restore their color with Color Restoration.

## *Restoring Slides or Negatives*

To restore color from faded slides or negatives, follow the instructions on page 15 to place your film on the scanner and adjust the settings for the type of paper you've loaded.

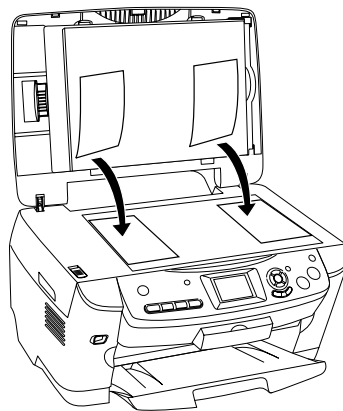
Before printing, make sure Restoration is set to On, as shown.



## *Restoring 4 × 6 Photos*

Follow these steps to restore faded 4 × 6-inch photos. You'll need to have some 4 × 6-inch Epson Premium Glossy Photo Paper before starting. You can place two photos on the scanner at once; a separate print will be made of each photo.

1. Place one or two photos on the scanner glass, aligning them with the edges of the glass as shown.



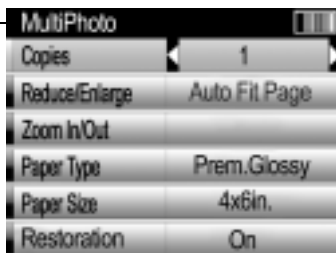
**Note:**


If the edges of your original are important, slide the document about 1/8 inch away from the edges of the glass to ensure that the entire document is copied.

2. Load one or more sheets (up to 20) of 4 × 6-inch Epson Premium Glossy Photo Paper.
3. Press the Copy button.
4. Press the Copy Options button and change Copy Layout to MultiPhoto (even if you're copying only one photo). Press OK, read the confirmation screen, then press OK again to apply the setting.

You see this screen:

Make sure this says  
MultiPhoto



5. Select the number of Copies you want to make of each photo.
  6. For the Restoration setting, select On.
- Note:**  
The paper type and size are selected automatically.
7. Press the  Color button and follow the instructions on the RX620 screen to copy and restore your photos.

**Note:**

You can also restore color to photos as large as letter size when you scan them to your computer. See your on-screen *Reference Guide* for details.



# Making Prints From Your Digital Camera

You can print photos from your digital camera by inserting its memory card in your RX620 (see page 24). Or if you have a PictBridge®- or USB Direct Print-enabled camera, you can connect it to the RX620 with a USB cable (see page 34).

After connecting your camera or inserting its memory card, select photos by:

- Viewing them on the RX620 screen (see pages 25 and 26)
- Printing out an index sheet to see all your photos (see page 32)

**Note:**

If your camera supports DPOF (Digital Print Order Format), you can select which photos to print directly from your camera (see page 31).

---

## Compatible Memory Cards

You can use the following types of memory cards with your Stylus Photo RX620:

CompactFlash™ Type I and Type II	IBM Microdrive™
MagicGate Memory Stick	MMC (MultiMediaCard)
MagicGate Memory Stick Duo*	SD (Secure Digital) Card
Memory Stick®	miniSD Card*
Memory Stick PRO™	SmartMedia™ (maximum 128MB)
Memory Stick Duo*	
Memory Stick PRO Duo*	xD-Picture Card

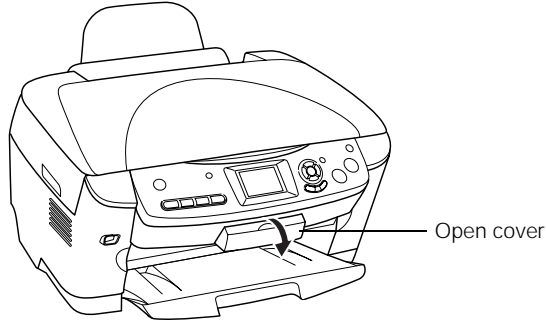
\* Requires an adapter

Make sure the photos on your card meet these requirements:

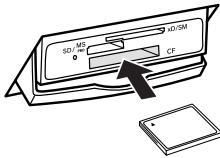
- JPEG files or uncompressed Tiff files only
- Resolutions ranging from 120 × 120 to 4600 × 4600 pixels
- No more than 999 photos on the card (you can have additional ones, but the printer can read only the first 999)

# Inserting Your Camera's Memory Card

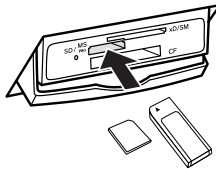
1. Turn off your computer or disconnect it from the RX620; otherwise, photos may automatically copy to your computer when you insert a card.
2. Open the memory card slot cover.



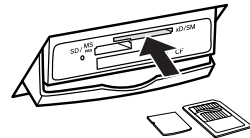
3. Make sure the memory card light (next to the card slots) is off and all the slots are empty. Then insert your card as shown:



CompactFlash or  
Microdrive (bottom)

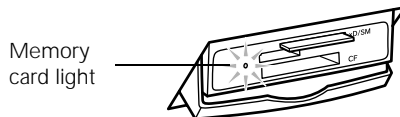


MemoryStick, SD, or  
MMC (middle)



SmartMedia or xD  
(top)

The memory card light flashes, then turns green.



## Caution:

Do not insert more than one card at a time.

Wait for the memory card light to stop flashing before removing your card or turning off the RX620, or you may lose data on the card.

Remove any cards before connecting or disconnecting the RX620 and your computer.



---

# Quick Printing of 4 × 6-inch Snapshots

After inserting a memory card, you can view and select the photos you want to print from the RX620 screen. Follow these steps to make beautiful 4 × 6-inch borderless prints quickly and easily. You'll need to have some 4 × 6-inch Epson Premium Glossy Photo Paper before starting.

1. Load up to 20 sheets of 4 × 6-inch Epson Premium Glossy Photo Paper.
2. Press the Memory Card button.
3. Use the ▼ and ▲ buttons to highlight Basic Print 4"×6", then press ► to choose one of these options for selecting your photos:
  - Select Print: lets you print individual photos—such as 1, 2, and 5
  - All Photos: prints all the photos on your card
  - Range Print: prints a range of photos—for example, 3 through 8

**Note:**

If your camera supports DPOF, you can use it to select the photos you want to print and the number of copies. For more information, see page 31.

Depending on your selection, you see a screen like this (it may differ slightly):



4. Follow the instructions at the bottom of the screen to select the photos you want to print and the number of copies. Use the ◀ and ▶ buttons to select a photo; use the ▼ and ▲ buttons to set the number of copies.
5. Press the ◇ Color button to print your photos.

To cancel printing, press the ⊗ Stop button.

---

# Custom Printing Your Photos

After inserting a memory card, you can view and select the photos you want to print from the RX620 screen. Depending on how you want to display your photos, you can choose from various sizes and types of Epson paper to get just the results you want. See page 28 for some great suggestions.

1. Press the Memory Card button.
2. Use the ▼ and ▲ buttons to highlight Custom Print, then choose one of these options for selecting your photos:
  - Select Print: lets you print individual photos—such as 1, 2, and 5
  - All Photos: prints all the photos on your card
  - Range Print: prints a sequence of photos—for example, 3 through 8

**Note:**

If your camera supports DPOF, you can use it to select the photos you want to print and the number of copies. For more information, see page 31.

Depending on your selection, you see a screen like this (it may differ slightly):



3. Follow the instructions at the bottom of the screen to select the photos you want to print and the number of copies. Use the ◀ and ▶ buttons to select a photo; use the ▼ and ▲ buttons to set the number of copies. Press OK when done.

**Note:**

If you select Range Print, you set the number of copies after making your print settings in step 4.

If you change your mind and want to correct a previously made setting, press the Cancel button.

After selecting your photos, you see the print settings screen:



4. Use the ▲, ▼, ◀, and ▶ buttons to change these settings:
  - **Paper Type:** Select the setting for the type of paper you've loaded (see page 28).
  - **Paper Size:** Select the size of paper you've loaded (the options vary depending on the selected paper type).
  - **Layout:** Select **Borderless** to print without white margins around the photo. Otherwise select **With Border** or another layout option as described on page 29.
- Note:**  
Borderless printing is available only for Epson photo papers in these sizes: 4 × 6-inch, 5 × 7-inch, 8 × 10-inch, and letter-size.
- **Quality:** For high-quality prints, choose **Photo** or **Best Photo**.
5. If you would like to make any special adjustments or enhancements to your photos, see page 29.
6. Press the ◊ Color button to print your photos.

To cancel printing, press the ⊗ Stop button.

**Tip:**

For best results, press the ◊ Color button even if you're printing black-and-white photos. Color inks can be combined for improved results over black ink alone.

If part of your photo is cut off when you print, turn off the **Fit to Frame** setting (see page 30).

## Selecting Your Paper and Making the Correct Paper Type Setting

Whether you're printing snapshots or enlargements, Epson Premium Glossy Photo Paper is ideal for displaying your most cherished photos. It's available in 4 × 6-, 5 × 7-, 8 × 10-, and 8½ × 11-inch sizes—so you can use it for framing your favorite photos under glass or including them in your photo album.

To create a different look, try Premium Semigloss Photo Paper or Matte Paper Heavyweight. These papers let you print vivid, long-lasting photographs with a reduced- or non-glare finish.

See the inside back cover for all the papers that work with your RX620. To learn more about a particular paper, check online at [www.epson.com](http://www.epson.com).

### Making the Correct Setting for Your Paper







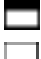

Before printing, be sure to select the correct Paper Type setting on the RX620 screen (step 4 on page 27). This important setting tells the printer what kind of paper you're using so it can adjust how to apply the ink. Here's how to choose the correct setting:

If you've loaded this paper . . .	Select this setting
Plain paper Epson Premium Bright White Paper Epson Photo Quality Ink Jet Paper Epson Iron-On Transfer Paper Epson Photo Quality Self Adhesive Sheets Epson Photo Quality Ink Jet Cards	Plain
Epson Premium Glossy Photo Paper Epson Photo Stickers Epson Ink Jet Transparencies	Prem. Glossy
Epson Glossy Photo Paper Epson Photo Paper Epson All-Purpose Glossy Paper Epson Glossy Photo Greeting Cards	Glossy Photo
Epson Premium Semigloss Photo Paper	SemiGloss
Epson Premium Luster Photo Paper	Prem. Luster

If you've loaded this paper . . .	Select this setting
Epson Matte Paper Heavyweight Epson Double-Sided Matte Paper PremierArt Matte Scrapbook Photo Paper for Epson	Matte
Epson ColorLife Photo Paper Epson Semigloss Scrapbook Photo Paper	Color Life

## Selecting the Layout

These photo layouts are available when making your print settings (step 4 on page 27). Highlight Layout, then use the ► button to select one of the following:

-  Borderless: your photo prints all the way to the edges of the paper; use only with Epson photo paper in these sizes: 4 × 6-inch, 5 × 7-inch, 8 × 10-inch, and letter-size
-  With Border: your photo prints with a white margin around the edge
-  2-up: two photos print per sheet
-  4-up: four photos print per sheet
-  8-up: eight photos print per sheet
-  20-up: 20 photos print per sheet
-  Upper 1/2: your photo prints on the top half of the sheet
-  Greeting: your photo prints on the lower half of the sheet so you can fold it and make a greeting card

## Selecting Special Print Settings

After making print settings (page 27), press the ▼ button to see additional screens.



— This is the first of 4 screens

Use the ▲, ▼, ◀, and ▶ buttons to change any of these settings. If you don't see the setting you want, continue pressing the ▼ button until it appears.

- **Filter:** Choose Sepia to print your photos with a sepia (brown) tone.
- **Auto Correct:** P.I.M. and Exif use your camera's PRINT Image Matching™ or Exif Print settings (these options are automatically selected when your pictures contain P.I.M. or Exif data). PhotoEnhance adjusts the brightness, contrast, and saturation of your photos.
- **Brightness:** Adjust this setting if your prints are too light or too dark.
- **Contrast:** Use to increase the contrast.
- **Sharpness:** Adjust this setting to sharpen or soften your prints.
- **Saturation:** Select More Sat. or Highest Sat. for stronger colors, or select Less Sat. or Least Sat. for weaker colors.
- **Date:** Prints the date your photo was taken in one of the following formats: yyyy.mm.dd (2004.12.12), mmm.dd.yyyy (Dec.12.2004), dd.mmm.yyyy (12.Dec.2004), or None (no date).
- **Time:** Prints the time your photo was taken in one of these formats: 12-hour system (9:00), 24-hour system (21:00), or None (no time printed).
- **Print Info:** Set this to On to print your camera's exposure time (shutter speed), F-stop (aperture), and ISO speed.
- **Fit to Frame:** If your photo is too long or wide to fit inside the available space on your selected layout, part of it will be automatically cropped (when this setting is On). Select Off to turn off automatic cropping and leave white space at the edges of the photo.

Fit to Frame  
turned on



Fit to Frame  
turned off



Printed area

- **Bidirectional:** Increases the print speed when turned On. Select Off to improve the print quality (but your photos print more slowly).

## ***Using DPOF to Select Your Photos***

If your camera supports DPOF (Digital Print Order Format), you can use it to select your photos for printing and the number of copies you'd like to print while the card is still in your camera. See your camera's instruction manual for details.

1. Insert the camera's memory card in the RX620.
2. Press the Memory Card button.
3. Use the ▲ and ▼ buttons to highlight Basic Print or Custom Print.
4. Use the ◀ and ▶ buttons to choose DPOF, then press OK.
5. If you selected Custom Print, continue with the steps on page 27 to make your print settings.
6. Press the ◇ Color button to print your photos.

## ***Restoring Default Settings***

If you want to reset the print and copy settings to their original default settings, follow these steps:

1. Press the Setup button.
2. Use the ▲ and ▼ buttons to choose Restore to Factory Settings.
3. Press OK, then confirm as instructed to restore the settings.

# Printing From an Index Sheet

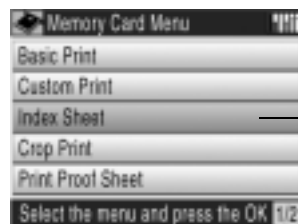
An index sheet gives you a thumbnail printout of the photos on your memory card and lets you select which ones you want to print. You can use the index sheet to make borderless prints on 4 × 6-inch, 8 × 10-inch, and letter-size paper.



Use plain paper to print out the index. When you're ready to print your photos, you'll need to load one of these papers:


Paper	Description
Epson Premium Glossy Photo Paper (4 × 6, 8 × 10, or letter-size)	High-gloss, bright-white finish; looks and feels like traditional photography paper. Ideal for printing your most cherished photos.
Epson Premium Semigloss Photo Paper (letter-size)	Reduced-glare finish; looks and feels like traditional photography paper. Ideal for printing portraits or scenic color photos.
Epson Photo Paper (letter-size) Epson Glossy Photo Paper (4 × 6 or letter-size)	For vivid, lifelike photos; lighter-weight paper perfect for everyday photos and reproductions.
Epson Matte Paper Heavyweight (letter-size)	Heavyweight, ultra-smooth, bright-white finish; great for printing non-glare photos.
Epson Double-Sided Matte Paper (letter-size)	Ideal for printing photographic portfolios that require excellent image quality and two-sided printing with no show-through.

1. Load several sheets of plain paper. (If there are more than 36 photos on your memory card, you'll need more than one sheet to print the index.)
2. Press the Memory Card button.  
You see this screen:




Select  
Index Sheet



3. Select Index Sheet, press OK, then highlight Print Index Sheet on the next screen.
4. Press the  Color button to print the index.

**Note:**

To cancel printing, press the  Stop button. If there are a lot of photos on your card, allow time for them to be processed before printing begins.

## Selecting Photos From the Index Sheet

Follow these steps to print selected photos from the index sheet.

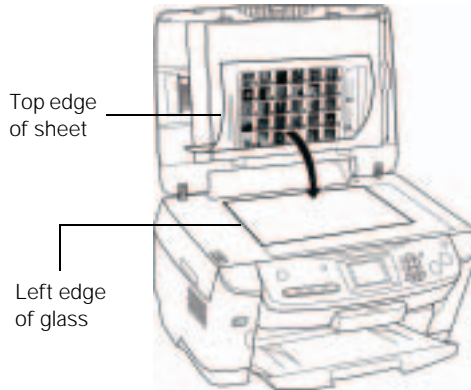
1. Load the type of paper you want to print on. You can choose any type of paper listed on page 32.
2. On the index sheet, fill in the oval beneath each photo you want to print with a dark pen or pencil.




3. At the bottom of the sheet, select the type and size of paper you loaded, as listed below:

If you loaded this paper . . .	Choose one of these options
Epson Premium Glossy Photo Paper Epson Premium Semigloss Photo Paper	Prem. Glossy - 4 × 6 in. Prem. Glossy - 8 × 10 in. Prem. Glossy - Letter
Epson Photo Paper Epson Glossy Photo Paper	Glossy Photo - 4 × 6 in. Glossy Photo - Letter
Epson Matte Paper Heavyweight Epson Double-Sided Matte Paper	Matte - Letter

- Place the index sheet face-down on the scanner glass, so that the top edge of the sheet is aligned with the left edge of the glass.



- Close the scanner lid.
- On the control panel, make sure Scan Index Sheet is highlighted, then press the  Color button. The sheet is scanned and your photos are printed.

**Note:**

To cancel printing, press the  Stop button.

If you have more than one index sheet, wait for the RX620 to finish printing. Then repeat the steps above to scan and print from each additional sheet.

---

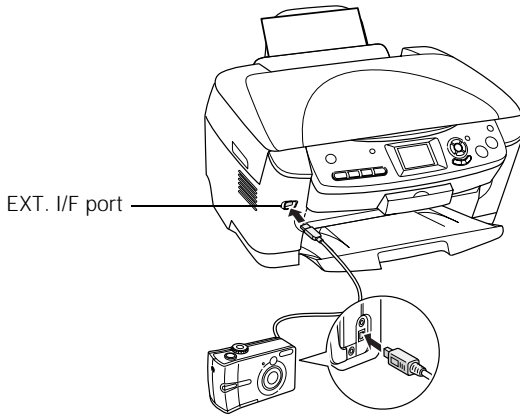
## Connecting Your Camera Directly

PictBridge and USB Direct Print let you print your photos by connecting your digital camera directly to the Stylus Photo RX620.

Make sure your photos meet these requirements:

- JPEG files or uncompressed Tiff files only
- Resolutions ranging from  $120 \times 120$  to  $4600 \times 4600$  pixels
- No more than 999 photos on your camera (you can have additional ones, but the printer can read only the first 999)

1. Remove any memory cards from the RX620. (If you leave a card in the RX620, photos will be read from that card instead of your camera's card.)
2. Connect the USB cable that came with your camera to the EXT. I/F port on the front of the Stylus Photo RX620.



3. If necessary, turn on the Stylus Photo RX620 and your camera. After a moment, the RX620 reads and counts your photos.
4. Press the Setup button.
5. Use the ▼ button to highlight Direct Print Image Set, then press OK.
6. Load the type of paper you want to print with (see page 28).
7. Use the RX620 screen to select the Paper Type, Paper Size, Layout, and Quality settings (see page 27).

**Note:**

You can also make special print settings as described on page 29.

8. When you have finished selecting your print settings, press OK.
9. Use your camera to select the photos you want to print, adjust any necessary settings, and print your photos. See your camera's manual for details.

**Note:**

If your camera is not compatible with PictBridge or USB Direct Print, you'll see a message saying that the connected device cannot be used. Epson cannot guarantee the compatibility of any cameras.

---

# Cropping a Photo

If you have a photo with a subject in it you want to emphasize, you can crop out the rest of the photo. Then you can print just the main subject by itself.

**Note:**

You can crop and print only one photo at a time. Cropping does not change the original file on your memory card; it changes only the way the photo is printed.

1. Press the Memory Card button.
2. Use the ▼ and ▲ buttons to highlight Crop Print, then press OK.
3. Use the ◀ and ▶ buttons to select the photo you want to crop, then press OK.
4. Load the type of paper you want to print with (see page 28).
5. Select the Paper Type, Paper Size, Layout, and Quality settings (see page 27).

**Note:**

You can also make special print settings as described on page 29.

6. When you have finished selecting your print settings, press OK.

You see the first cropping screen:



7. Use the ▲, ▼, ◀, and ▶ buttons to place the frame where you want it. (If the frame stops moving when it reaches an edge, you can come back to this step later after resizing the frame.) Press OK when done.

You see the second cropping screen:



8. Use the ▲ and ▼ buttons to increase or decrease the size of the frame.

**Note:**

To readjust the frame's position, press the Cancel button to return to the previous screen.

9. When you have finished framing the photo, press OK until you see a preview of the cropped image:



10. Press OK if the photo is cropped to your liking. (If you need to adjust it further, press the Cancel button to return to the previous screens.)
11. Use the ▲ and ▼ buttons to select the number of copies (1 to 99).
12. Press the ◇ Color button to start printing.

To cancel printing, press the ⊗ Stop button.

**Tip:**

For best results, press the ◇ Color button even if you're printing black-and-white photos. Color inks can be combined for improved results over black ink alone.

If part of your photo is unexpectedly missing when you print, turn off the Fit to Frame setting (see page 30).



# Scanning to a Memory Card

You can use your Epson Stylus Photo RX620 as a stand-alone scanner to save scans of photos, film, and slides to your memory card. You can also scan to your computer instead of a memory card (see the instructions in your on-screen *Reference Guide*).

See these sections:

- “Inserting a Memory Card” below
- “Scanning a Photo” on page 40
- “Scanning Film or Slides” on page 41

---

## Inserting a Memory Card

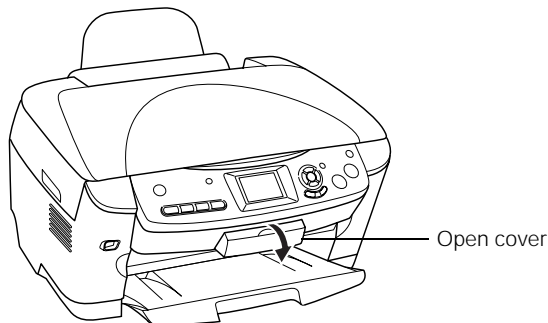
You can scan to any compatible type of card listed on page 23.

**Caution:**

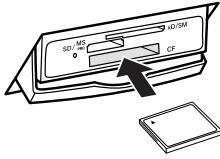
Do not insert more than one card at a time.

Wait for the memory card light to stop flashing before removing your card or turning off the RX620, or you may lose data on the card.

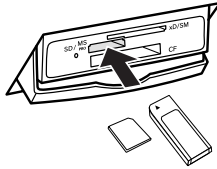
1. If the Stylus Photo RX620 is connected to your computer, unplug the USB cable that connects it to your computer, or turn off your computer.
2. Open the memory card slot cover.



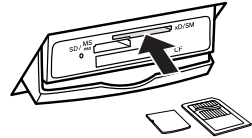
3. Make sure the memory card light (next to the card slots) is off and all the slots are empty. Then insert your card as shown:



CompactFlash or  
Microdrive (bottom)

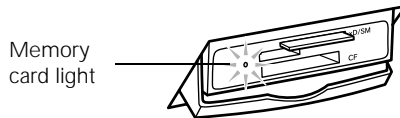


MemoryStick, SD, or  
MMC (middle)



SmartMedia or xD  
(top)

The memory card light flashes, then turns green.



**Note:**

If the card is not properly formatted, you see a message on the RX620 screen. Press the button indicated on the RX620 screen to format the card. Any data stored on the card will be erased.

---

## Scanning a Photo

After inserting a memory card, follow these steps to scan a photo to the card and save it in JPEG format:

1. Open the scanner lid.
2. Place your photo face-down on the glass in the upper-left corner, as shown.

**Tip:**

Slide your photo about 1/8 inch away from the edges of the glass to ensure that the edges of your photo are copied.

3. Close the scanner lid.





4. Press the Scan button to set the RX620 to Scan mode.
5. Use the ▲ and ▼ buttons to choose Scan to Memory Card, then press the OK button.
6. Use the ▲, ▼, ◀, and ▶ buttons to select the following options:
  - Scan area: select Auto cropping (if the edges of the photo are light in color, select Max area)
  - Document type: select Graphics
  - Quality: select Photo
7. Press the ⬠ Color button. The photo is scanned and saved to the “epscan” folder on your memory card.
8. When scanning is finished, you see a confirmation screen. Note the name given to your image and its location on the card.
9. Click OK when done, then remove the card.

**Caution:**

Do not remove the card or turn off the Stylus Photo RX620 while the memory card light is flashing, or you may lose data.

---

## Scanning Film or Slides

After inserting a memory card (see page 39), you can scan film or slides to the card and save your photos in JPEG format. Follow the steps in these sections:

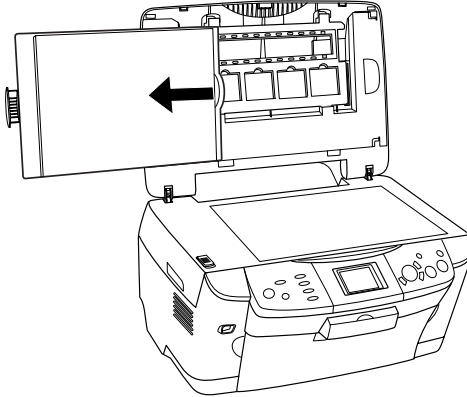
- “Removing the Film Holder and Document Mat” on page 42
- “Placing 35-mm Slides in the Holder” on page 43
- “Placing 35-mm Film Strips in the Holder” on page 44
- “Scanning and Saving to Your Memory Card” on page 45

# Removing the Film Holder and Document Mat

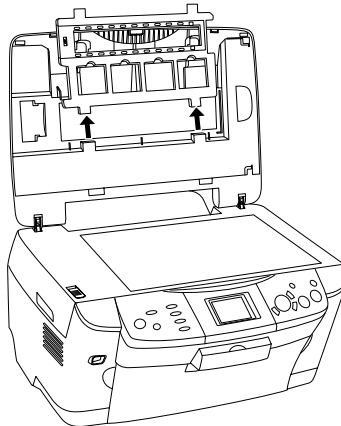
1. Open the scanner lid and slide out the document mat. Set the mat aside so you can reinstall it for scanning reflective documents later.

**Note:**

You must remove the white document mat to scan film or slides.



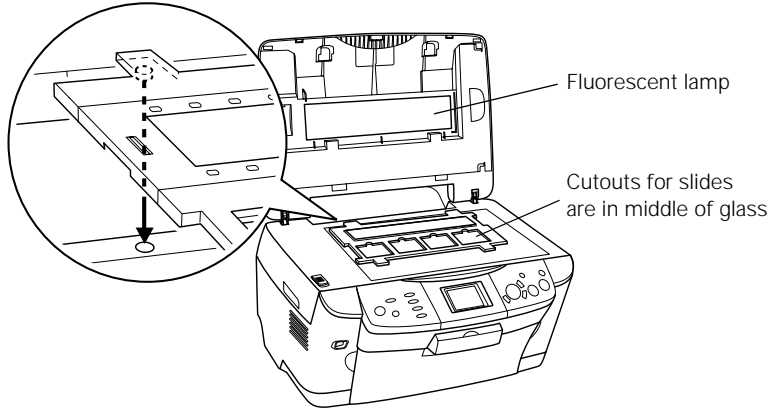
2. If you've stored the film holder in the scanner lid, remove it as shown. (Remember to replace the film holder when you're done using it.)



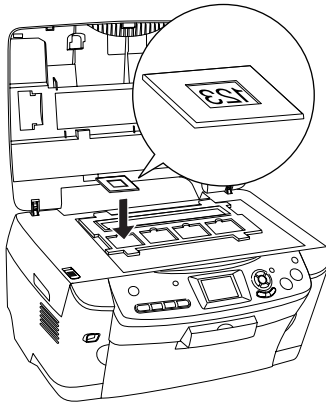
3. Continue with one of these sections:
  - “Placing 35-mm Slides in the Holder” on page 43 (for slides)
  - “Placing 35-mm Film Strips in the Holder” on page 44 (for film)

## Placing 35-mm Slides in the Holder

1. Fit the holder's tabs into the two small holes at the rear edge of the glass. Make sure the cutouts for 35-mm slides are in the middle of the glass (not at the rear edge) to align them with the fluorescent lamp when you close the lid.



2. Place your slides in the film holder as shown.



### Note:

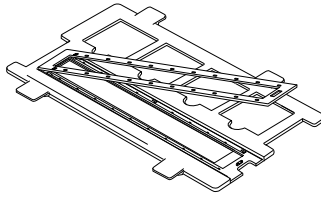
The photos should be mirror-imaged when viewed from overhead. (The shinier side faces down; the duller side faces up.)

To avoid unnecessary cropping of your photos, always place your slides with the wider part of the film width-wise on the glass (in landscape orientation).

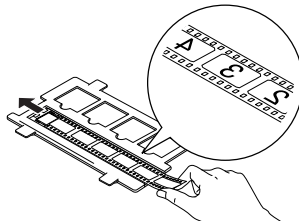
Continue with the steps on page 45 to scan and save your photos.

# Placing 35-mm Film Strips in the Holder

1. Remove the film strip cover.



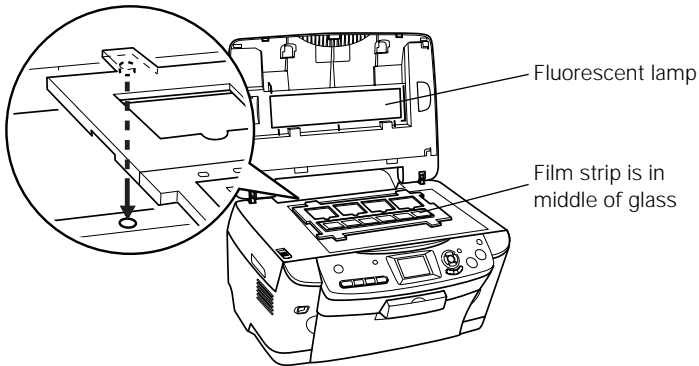
2. Slide your film strip into the holder.



**Note:**

The photos should be mirror-imaged when viewed from overhead. (The shinier side faces down; the duller side faces up.)

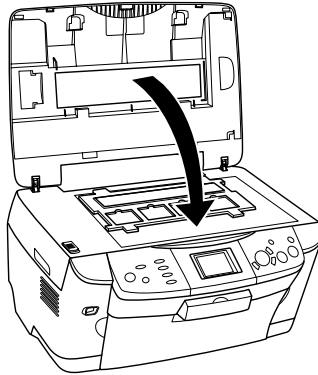
3. Replace the film strip cover.
4. Fit the holder's tabs into the two small holes at the rear edge of the glass. Make sure the film strip is in the middle of the glass (not at the rear edge) to align it with the fluorescent lamp when you close the lid.



Continue with the steps in the next section to scan and save your photos.

# Scanning and Saving to Your Memory Card

1. Close the scanner lid.



2. Press the Copy Slide/Neg button.
3. Use the ▲ and ▼ buttons to choose Scan to Memory Card, then press the OK button.
4. On the next screen, select the film type. If you're scanning slides, select Positive Color Film (Slide). If you're scanning a film strip, select one of these options:
  - Negative Color Film (used in most cases)
  - Negative B&W Film
  - Positive Color Film (Strip)

Press OK after making your selection.

The RX620 displays your first photo on its screen:



5. Use the ◀ and ▶ buttons to preview each of your remaining photos.

6. While a photo is being displayed, you can select it to be saved by using the ▲ and ▼ buttons. A checkmark in the box beside your photo indicates that it will be saved.
7. When done selecting photos, press OK.
8. Choose Fine (for good quality) or Photo (for best quality) as the Quality option.
9. Press the ◇ Color button. The photo is scanned and saved to the “epscan” folder on your memory card.
10. When scanning is finished, you see a confirmation screen. Note the name given to your image and its location on the card.
11. Click OK when done, then remove the card.

**Caution:**

Do not remove the card or turn off the Stylus Photo RX620 while the memory card light is flashing, or you may lose data.

# Saving and Storing Photos

You can use your RX620 as a card reader to copy photos and other types of files from a memory card to your computer, or vice versa. If you don't have a computer, you can copy pictures from your camera's memory card to a USB storage device, such as a Zip® drive, CD drive, or USB thumb drive (flash memory device). This lets you delete the photos on your memory card and reuse it without losing your originals.

See these sections:

- “Copying Photos to Your Computer” below
- “Copying Photos to a USB Drive” on page 50

---

## Copying Photos to Your Computer

Before using this feature with Windows 98 or Me, make sure you've installed your Stylus Photo RX620 software as described on the *Start Here* sheet (this automatically installs the necessary USB storage software).

1. Make sure your Stylus Photo RX620 is turned on and connected to your computer.
2. Insert a memory card as described on page 24. (If you'll be copying to the card, make sure the card's write-protect tab, if it has one, is set to allow writing to the card.)
3. In Windows XP, you see a screen like this. You can choose any supported program or option to open, view, or print your photos.

On a Macintosh, you see a drive icon appear on your desktop. You can open the drive and copy your photos to your computer. On OS X, if iPhoto™ is set to open when a digital camera is connected, iPhoto opens.



In Windows 98 or Me, PhotoStarter opens and copies your pictures to the Photos folder on your desktop. If this is the first time you've inserted a memory card, you see this message instead.

Follow the instructions in the next section to configure PhotoStarter.



4. When you're done copying photos, remove the card as described on page 52.

**Caution:**

If you are using a card from your digital camera and you add or delete files, the card may not work correctly with your camera. Always delete pictures using your camera.

## ***Configuring PhotoStarter***

If you are using Windows 98 or Me, you will need to use PhotoStarter and Card Monitor to copy the photos from your card. You can also use these utilities in Windows XP or 2000, Macintosh OS X, or Macintosh OS 9. See the section for your operating system below.

### ***Windows***

1. If your computer (Windows XP or 2000) asks you what you want to do when you insert a card, select Startup CardMonitor, click the checkbox for Always use this program for this action, and click OK.
2. If this is your first time inserting a card, you see this screen:  
Click Next.
3. The Epson PhotoStarter setup assistant opens.
4. Click Next again. The setup assistant asks you a series of questions about how you want PhotoStarter to work.
5. Change any of the settings you want, then click Next.
6. When you see the Confirmation window, click End.

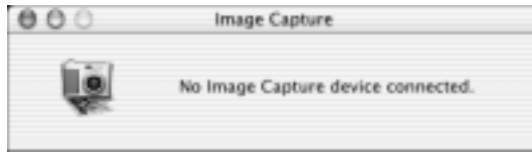


You can go back and change settings at any time by opening PhotoStarter. Click Start > Programs or All Programs > EPSON PhotoStarter > EPSON PhotoStarter3.2. Open the Settings menu and choose Change Settings.



## Macintosh

1. Open the Applications folder on your hard drive, then double-click ImageCapture. You see this screen:

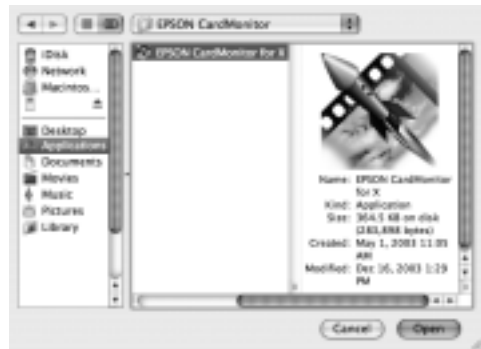


2. From the Image Capture menu, select Preferences. You see this screen:




3. From the Camera Preferences drop-down list, select Other. A new Applications folder opens.
4. Open the EPSON CardMonitor folder, then click the EPSON CardMonitor icon.
5. Click the Open button.
6. Close the Image Capture utility.

CardMonitor now opens automatically whenever you insert a card. Follow the instructions on the screen to copy images to your computer when you insert a card and to have CardMonitor open an image-editing application, if desired.



### Note:

If CardMonitor doesn't open automatically, browse to the new drive icon on your desktop to view your photos.

You can go back and change settings at any time by opening PhotoStarter. Open the  EPSON PhotoStarter 3 folder, then double-click EPSON PhotoStarter 3. Open the Tools menu and choose Change Settings.

---

# Copying Photos to a USB Drive

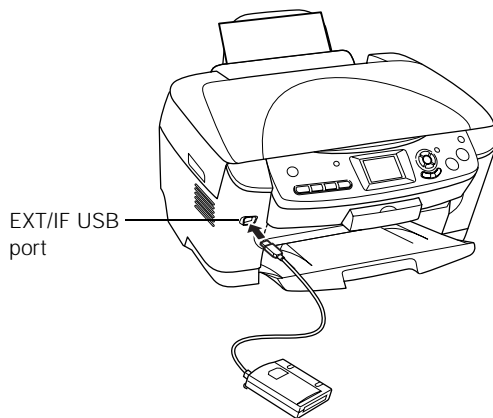
You can copy photos from your camera's memory card to a USB storage device for safe keeping. This lets you delete the photos on your memory card and reuse it without losing your originals. Once your photos are stored this way, you can retrieve them at any time for printing (see page 51).

To save photos, you need a storage device such as a USB thumb drive (flash memory device), recordable CD-R/RW drive (with a USB connection), or a 100MB or 250MB Iomega® Zip drive, available at many computer stores. The CD-ROM or Zip drive must provide its own power (from an external power supply or adapter).

**Note:**

If you insert a Macintosh disk into a Zip drive attached to the Stylus Photo RX620, it automatically formats it, so be sure to use a disk that is empty or not formatted, or one containing data you don't mind losing. (You are prompted before any data is erased.)

1. If the Stylus Photo RX620 is connected to your computer, unplug the USB cable that connects it to your computer, or turn off your computer.
2. Make sure the Stylus Photo RX620 is turned on and the memory card containing your photos is inserted in it.
3. Connect a USB cable from your storage drive to the EXT. I/F USB port on the front of the Stylus Photo RX620. (If you're using a thumb drive, plug it in directly.)



4. Press the Memory Card button.

5. Press the ▼ button to choose Backup, then press OK.
6. Press OK again to start the backup procedure. You may have to follow additional instructions on the RX620 screen. All the photos on your card are copied to your connected storage device. Depending on how many photos there are, this may take several minutes.
7. When you're done copying photos, remove the card as described on page 52.

**Note:**

When backing up photos to a CD-R/RW, the Stylus Photo RX620 creates a folder for each backup session. You can store multiple backup sessions on a CD-R/RW.

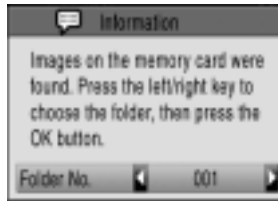
**Caution:**

Once the backup starts, do not disconnect the cable or interrupt the process, or you may lose data. If you need to stop the backup, press the ⏹ Stop button.

## *Printing Your Stored Photos*

Once you have copied photos to your storage drive, you can print them by following these steps.

1. Connect your drive to the RX620 as shown on page 50.
2. When you see this screen, use the ◀ and ▶ buttons select which folder to print from, then press OK.



3. Press the Memory Card button, then follow the same steps as you would to print from your camera's memory card. See page 23.

---


# Removing a Memory Card

Once you're finished copying photos from your memory card, follow the steps below to prepare your computer before removing it. Be sure to remove any cards before unplugging the USB cable from your RX620.

**Caution:**

Do not eject a card while the memory card light is flashing, or without performing the steps described below, or you may lose data on the card. Be sure all cards have been removed before unplugging the USB cable.

1. On a Macintosh, drag the memory card icon from your desktop to the trash.

If you're using Windows XP or 2000, click the  Unplug or Eject Hardware icon on the taskbar. In Windows XP, click Safely Remove USB Mass Storage Device. In Windows 2000, click Stop USB Mass Storage Device.

**Note:**

In Windows 98 or Me, you don't need to do anything on your computer before removing a card.

2. Remove the card by pulling it straight out of the slot.

# Maintaining Your RX620

If you notice a decline in print quality, follow the instructions in this chapter to check and clean the print head. You'll also find instructions on checking ink levels, replacing ink cartridges, and aligning the print head.

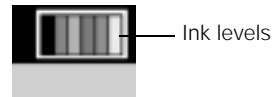
See these sections:

- “Replacing Ink Cartridges” below
- “Checking and Cleaning and Print Head” on page 58
- “Aligning the Print Head” on page 59

---

## Replacing Ink Cartridges

When you print with low or empty ink cartridges, you see a message on the RX620 screen. Check this icon in the upper-right corner of the screen to see which cartridge is low or empty.



When a cartridge is more than six months old, print quality may decline. If necessary, try cleaning the print head as described on page 58. If printouts still don't look their best, you may need to replace the cartridge.

### *Checking the Ink Supply*

To check your ink supply, do the following:

1. Press the Setup button to enter setup mode.
2. Use the ▲ and ▼ buttons to select Ink Levels.
3. Press the OK button.

You see a graphic showing the amount of ink available in each cartridge: B (Black) C (Cyan), LC (Light Cyan), M (Magenta), LM (Light Magenta), and Y (Yellow).

4. When you're done checking the ink levels, press the OK button.

When your ink starts getting low, make sure you have replacement cartridges available. You can't print if a cartridge is empty.

## ***Purchasing Ink Cartridges***

Use these Epson ink cartridges within six months of installing them and before the expiration date:

<b>Color</b>	<b>Part number</b>
Black	T048120
Cyan	T048220
Magenta	T048320
Yellow	T048420
Light Cyan	T048520
Light Magenta	T048620

**Note:**

A color ink multipack is also available (T048920).

**Caution:**

To ensure good results, use genuine Epson ink cartridges and do not refill them. Other products may cause damage to your Stylus Photo RX620 not covered by Epson's warranty.

**When you need new ink cartridges, contact your dealer, or call the Epson Store<sup>SM</sup> at (800) 873-7766 or visit [www.epsonstore.com](http://www.epsonstore.com) (U.S. sales only). In Canada, call (800) 463-7766 for dealer referral.**

## ***Ink Cartridge Precautions***

**Warning:**

Keep ink cartridges out of the reach of children.

If ink gets on your hands, wash them thoroughly with soap and water. If ink gets in your eyes, flush them thoroughly with water.

**Caution:**

To avoid damaging the printer, never move the print head by hand.

You can't print if an ink cartridge is empty. Leave the empty cartridge installed in the Stylus Photo RX620 until you have obtained a replacement. Otherwise the ink remaining in the print head nozzles may dry out.

# Removing and Installing Ink Cartridges

Be sure you have a new ink cartridge before you begin. Once you start replacing a cartridge, you must complete all the steps in one session.

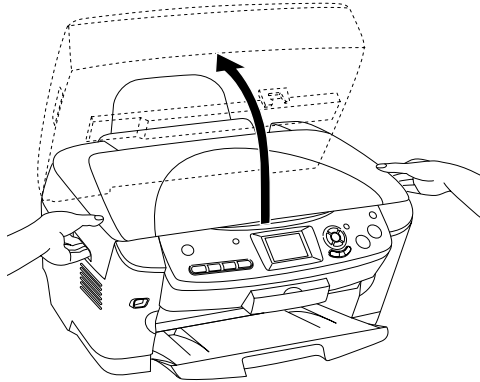
1. **If an ink cartridge is empty:**

Look at the message the RX620 screen to find out which cartridge is empty, then press the OK button.

**If an ink cartridge is low:**

Look at the icon in the upper right corner of the RX620 screen to see which cartridge is low or check the ink levels as described on page 53. Then press the Setup button to enter setup mode. Use the ▲ and ▼ buttons to select Ink Cartridge, then press OK. At the confirmation screen, press OK again.

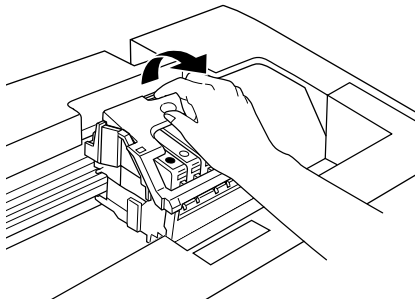
2. Lift open the scanner section to access the printer area.



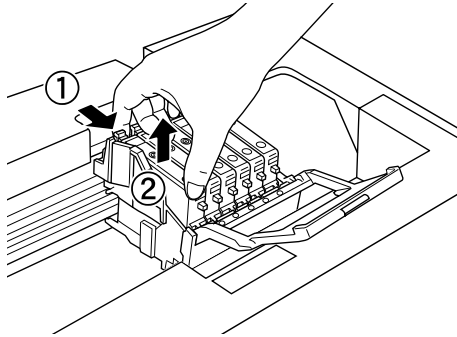
3. Open the ink cartridge holder.

**Caution:**

Never attempt to open the cartridge holder's cover while the print head is moving. Wait until the cartridges have moved to the replacement position.



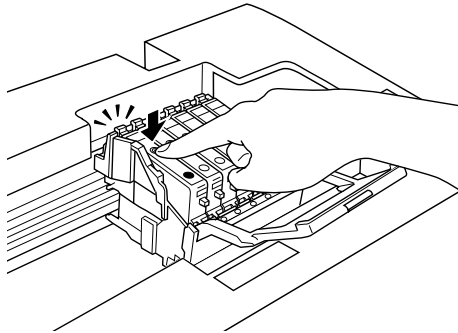
4. Remove the cartridge you need to replace. Press in the tab in back of the cartridge to release it, then lift the cartridge straight out. Dispose of it carefully.



**Note:**

The illustration above shows the black cartridge being removed. Only remove the cartridge(s) you need to replace.

5. Unwrap the new cartridge.
6. Insert the new cartridge into the holder. Press down firmly until it clicks into place.



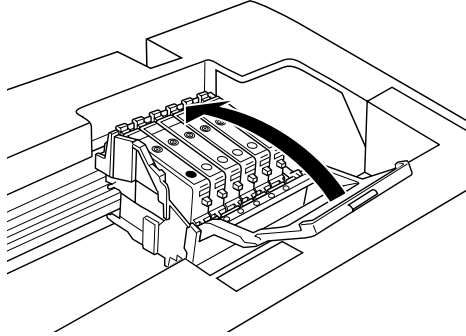
If you need to replace other ink cartridges, repeat steps 4 through 6 before continuing with the next step.



7. Close the ink cartridge holder, then close the scanner section.

**Caution:**

If you find it difficult to close the cover, make sure all the cartridges are firmly seated. Press down on each newly installed cartridge until you hear it click into place. Do not attempt to force the cover closed.



The Stylus Photo RX620 begins charging the ink delivery system and the Ink Charging message appears on the screen. When you see Ink cartridge replacement is completed, click OK.

**Caution:**

Never turn off the Stylus Photo RX620 during ink charging. This may cause incomplete charging of ink.

---

# Checking and Cleaning and Print Head

If your printouts are unexpectedly light, colors are missing, or you see light or dark lines across the page, you may need to clean the print head. This clears the print head nozzles, which can become clogged if you don't use the printer for a long time.

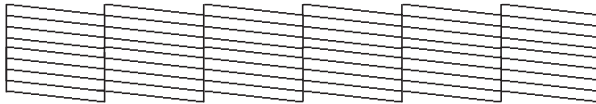
**Tip:**

It's a good idea to turn on your RX620 at least once a month to maintain good print quality.

## *Checking the Print Head*

You can print a nozzle check pattern to see if any print head nozzles are clogged, or to check the results after cleaning the print head.

1. Press the Setup button to enter setup mode. (If you've just finished cleaning the print head, the setup screen appears automatically).
2. Use the ▲ and ▼ buttons to select Nozzle Check, then press OK.
3. Make sure plain letter-size paper is loaded, then press OK to print the nozzle check.
4. Examine the nozzle check pattern you printed. Each staggered line should be solid, with no gaps, as shown.



- If your printout looks okay, you're done. Click Cancel to return to the main menu.
- If you see any gaps, as shown below, press OK. Then clean the print head as described on page 59.



## *Cleaning the Print Head*

Follow these steps to clean the print head so it can deliver ink properly. Print head cleaning uses ink, so clean it only if quality declines.

**Note:**

You can also clean the print head using the printer software. Click the ? or Help button on your printer settings screen for instructions on running the print head cleaning utility.

1. Make sure the Stylus Photo RX620 is turned on but not printing.
2. Press the Setup button to enter setup mode.
3. Press the ▲ and ▼ buttons to select Head cleaning.
4. Press the OK button, then press OK to start cleaning the print head.

Cleaning takes about 30 seconds, during which the message Head Cleaning appears on the RX620 screen.

5. When cleaning finishes, print a nozzle check pattern to check the results (see page 58).

If you don't see any improvement after cleaning three or four times, check the solutions beginning on page 66. You can also turn the Stylus Photo RX620 off and wait overnight—this allows any dried ink to soften—and then try cleaning the print head again.

---

## **Aligning the Print Head**

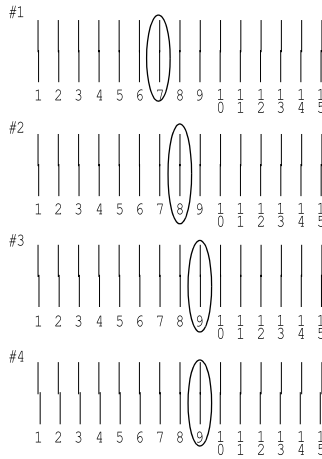
If your printouts look grainy or vertical lines appear jagged, you may need to align the print head.

**Note:**

You can run a print head alignment using the printer software. Click the ? or Help button on your printer settings window for instructions on running a print head alignment.

1. Make sure the Stylus Photo RX620 is turned on and not printing.
2. Load several sheets of plain letter-size paper.
3. Press the Setup button to enter setup mode, select Head Alignment, then press the OK button.
4. Press OK again to print the alignment pattern.

- Examine the printout. For each row (#1 through #4), circle the vertical lines that are most precisely printed on top of each other. You may need to use a magnifying glass or loupe.



- On the RX620 screen, enter the number for the circled line in the first row by pressing the ◀ and ▶ buttons.
- Press OK, then enter the numbers for the circled lines in each of the remaining rows in the same way.
- When you're done, you see a Head alignment completed message. Press OK to return to the Setup Menu.

# Solving Problems

If you have a problem with your Stylus Photo RX620, check the messages on the RX620 screen, run a nozzle check (see page 58), or see “Problems and Solutions” below.

See these sections:

- “Problems and Solutions” below
- “Where To Get Help” on page 72

---

## Problems and Solutions

Check the solutions below if you're having trouble using your RX620.

### *Setup and Software Installation Problems*

**Tip:**

It's a good idea to check Epson's web site periodically for possible updates to your software. Visit <http://support.epson.com> and check the section for your product to see if there is new software available for downloading to your computer.

#### **The Stylus Photo RX620 makes noise after you turn it on.**

- Make sure the orange print head lock is not blocking the print head (it should be stored away from the print head as shown on the *Start Here* sheet).
- Make sure the scanner lock is in the unlocked position, as shown on the *Start Here* sheet.

After releasing the print head or scanner lock, turn off the Stylus Photo RX620, wait a moment, then turn it back on.

## **The Stylus Photo RX620 makes noise after ink cartridge installation.**

- When you install ink cartridges, the Stylus Photo RX620 must charge its ink delivery system. Wait until it's finished (the Charging message disappears from the RX620 screen), then turn it off. If it's turned off early, it may use extra ink the next time you turn it on.
- Make sure the ink cartridges are seated securely and no packing material remains in the Stylus Photo RX620. Turn off the Stylus Photo RX620, wait a moment, then turn it back on.

## **You cancelled software installation or connected the Stylus Photo RX620 before installing the software.**

Your Epson software may be incorrectly installed. See the on-screen *Reference Guide* for instructions on uninstalling the software. Make sure you carefully follow the steps on your *Start Here* sheet when you reinstall your software. You need to connect the Epson Stylus Photo RX620 at the correct time in the installation process.

## **You're having problems installing the software.**

- Make sure your computer meets the system requirements listed in the on-screen *Reference Guide*. Close other programs, including screen savers and virus protectors, and install again.
- In Windows, make sure that your computer's Universal Serial Bus (USB) Controller is working properly in Device Manager; see your Windows help system for details.
- If you see an error message or the software doesn't install correctly on Windows XP or Windows 2000, you may not have software installation privileges. Log in as necessary. See your Windows documentation or contact your system administrator for help.
- For Mac OS 9, if the SP RX620 Series icon doesn't appear in the Macintosh Chooser, you may have too many items in the Chooser. Delete any unused items.
- If you're printing over a network, see your on-screen *Reference Guide* for additional software installation steps.

# Printing and Copying Problems

## **The Stylus Photo RX620 is on, but nothing prints.**

- Make sure the USB cable is securely connected at both ends.
- If you're using a USB hub, try connecting the Stylus Photo RX620 directly to your computer's USB port instead.
- Run a nozzle check as described on page 58. If the check page prints, make sure your Stylus Photo RX620 software is installed correctly.
- If you're printing on a network, you need to set up your Stylus Photo RX620 for network printing, as described in the on-screen *Reference Guide*.

## **The Stylus Photo RX620 makes printing sounds, but nothing prints.**

- The print head nozzles may need cleaning; see page 58 for instructions.
- Make sure the Stylus Photo RX620 is on a flat, stable surface.

## **Printing or copying is too slow.**

Make sure your system meets the requirements listed in the on-screen *Reference Guide*. If you're printing a high-resolution photo, you need more than the minimum requirements. You may also need to:

- Clear space on your hard disk or run a defragmentation utility.
- Close open programs that you're not using.
- Increase your system's memory (RAM).

## **For the fastest printing:**

- Select Draft as the Quality Type (Windows) or set the Quality/Speed slider to Speed (Macintosh) in your printer software.
- If your document doesn't include color, choose Black Ink Only (Windows) or Black as the ink setting (Macintosh) in your printer software (see your on-screen *Reference Guide*), or press the ◊ B&W button.
- Turn Super MicroWeave<sup>®</sup> off (Macintosh only) and High Speed on in your printer software.
- If your Stylus Photo RX620 is connected to a USB hub, disconnect any unused USB devices.

### **The margins are incorrect.**

- Make sure the paper size settings are correct for the paper you've loaded.
- Choose the correct margins for your paper size.
- Make sure your paper is positioned on the right side of the sheet feeder with the left edge guide lightly against the paper. Do not load too many sheets of paper at a time (don't go past the arrow mark on the left edge guide).
- If you use the buttons on the control panel to select Auto Fit Page to copy a document with white or very light edges, the original size may not be recognized correctly. Select Actual as the Reduce/Enlarge setting, and use the Zoom In/Out setting to adjust the size of your copy.

### **The printer prints blank pages.**

- Make sure the paper size settings are correct for the paper you've loaded.
- The print head nozzles may need cleaning; see page 58 for instructions.

## ***Scanning Problems***

### **Your system doesn't recognize the Stylus Photo RX620.**

Make sure the Stylus Photo RX620 is connected to your computer and plugged into an electrical outlet.

### **The fluorescent lamp isn't on.**

- The lamp turns off automatically to save power (sleep mode); it comes on when you start scanning.
- Make sure the Stylus Photo RX620 is plugged into a working power outlet.

### **The Stylus Photo RX620 doesn't scan.**

- Wait until the fluorescent lamp stays on (ready for scanning). You may need to preview your scan to make the lamp come on.
- If you are using a USB hub, try connecting the Stylus Photo RX620 directly to the computer's USB port.
- If you're scanning film, make sure you've removed the white document mat and that the film holder is positioned correctly.



- If you see your Stylus Photo RX620 in the Windows Control Panel, but you can't scan, uninstall and reinstall its software. See the on-screen *Reference Guide* to uninstall the software, then follow the installation instructions on the *Start Here* sheet.

### **The Stylus Photo RX620 scanning software doesn't work properly.**

- Make sure your system meets the requirements listed in the on-screen *Reference Guide*.
- Check if your computer has enough memory for your software. If you're running other software at the same time, the computer may not have enough memory. Try closing any open applications, including screen savers and virus protection programs.
- If you're scanning a large photo or at a high resolution, your computer may not have enough memory to process the image.
- Make sure that EPSON Stylus Photo RX620 is selected in your application software.
- Check your software installation. If necessary, uninstall your software as described in the on-screen *Reference Guide*, then reinstall it as explained on the *Start Here* sheet.

## ***Paper Feed Problems***

### **Too many copies are printing.**

Make sure that the Copies setting in your printer software and/or program aren't set for multiple copies.

### **Paper doesn't feed correctly or jams in the Stylus Photo RX620.**

- If paper doesn't feed, remove it from the sheet feeder. Fan the paper, load it against the right side, and slide the left edge guide against the paper (but not too tightly). Do not load too many sheets of paper at a time (don't go past the arrow mark on the left edge guide).

- If paper jams, turn off your Stylus Photo RX620, lift open the scanner section, and remove any paper that's inside, including any small pieces that may have torn off. Carefully reload paper, turn the RX620 back on, and press the **Color button**.

**Caution:**

Clear paper jams by pulling the paper out of the printer in the direction that it normally feeds through the printer (towards the output tray). Never pull the paper out backwards (in the direction of the sheet feeder).

- If paper jams frequently, make sure the left edge guide isn't pushed too tightly against the paper. Also, try loading fewer sheets of paper. The stack should never be above the arrow on the inside of the left edge guide. Some paper types require that you load sheets individually, or you use a support sheet; follow the instructions that came with your paper for specific instructions.
- If paper jams frequently, you may also have pushed the paper down too far into the sheet feeder. Turn the Stylus Photo RX620 off and carefully remove the paper. Then reload the paper.

## ***Print Quality Problems***

**You see banding (light lines) in your printouts or copies.**



- Clean the print head; see page 58 for instructions.
- Select the correct Type (Windows) or Media Type (Macintosh) setting in your printer software for the paper you loaded. If you're copying without a computer, make sure you selected the correct paper type.
- Select a higher print quality and turn off High Speed mode in your printer software.
- Make sure the printable side of the paper is face up.

- The ink cartridges may need replacing; see page 53.
- Align the print head; see page 59 for instructions.

### **Your printout is blurry or smeared.**



- Make sure your paper isn't damp, curled, or loaded face down (the printable side should be face up). Load new paper face-up.
- Use a support sheet with special paper or try loading your paper one sheet at a time.
- Align the print head; see page 59 for instructions.
- Use Epson papers for proper saturation and absorption of genuine Epson inks.

### **Your printout is faint or has gaps.**

- Clean the print head; see page 58 for instructions.
- The ink cartridges may be old or low on ink; see page 53.
- Select the correct Type (Windows) or Media Type (Macintosh) setting for your paper in your printer software. If you're copying without a computer, use the control panel buttons to select the correct paper type.
- Make sure your paper isn't damaged, old, dirty, or loaded face-down. If it is, load new paper face-up.

### **Your printout is grainy.**

- Use a higher quality paper or select a higher Quality Type or Print Quality in your printer software. If you're copying without a computer, use the control panel buttons to select Best Photo as the quality setting.
- Align the print head; see page 59 for instructions.
- Increase the image resolution or print it in a smaller size; see your software documentation.

### **You see wrong or missing colors.**

- Make sure Black Ink Only is off (Windows) or Color ink is selected (Macintosh), even when you're printing black and white photographs.
- Clean the print head; see page 58 for instructions.
- The ink cartridges may be old or low on ink; see page 53.
- Make sure you loaded the correct paper type and selected the correct setting for it in your software or on the RX620 screen.
- Try turning off PhotoEnhance™ in your printer software. Also check if you're using a special effect that alters image colors, like Sepia.
- Try changing the Gamma setting in your printer software.
- If the Stylus Photo RX620 runs out of paper, load additional paper as soon as possible. If it is left without paper for a long period of time, the colors of your next copy or print job may be incorrect.
- Your printed colors can never exactly match your on-screen colors. However, you can use a color management system, such as ICM or ColorSync®, to get as close as possible. See your on-screen *Reference Guide* for details.

## ***Miscellaneous Printing Problems***

### **You see incorrect characters.**

- Make sure the USB cable is securely connected to the computer. Lift the scanner section and check that the USB cable is securely connected to the USB port inside the Stylus Photo RX620.
- Make sure the Stylus Photo RX620 is selected in your application, or as the Windows default printer.

### **The image size or position is incorrect.**

Make sure the paper and/or layout options are set correctly. Click the ? or Help button on your printer settings window for more information. If you're copying without a computer, check the layout settings on the RX620 screen.

### **The image is inverted, as if viewed in a mirror.**

Turn off Mirror Image in the printer software or the mirror setting in your application software. If you're copying without a computer, check the RX620 screen to make sure Mirror is not selected. If you're printing from film or slides, check their orientation in the film holder.

## ***Scan Quality Problems***

### **Your scanned image is blurry or distorted.**

- Make sure the document is placed flat against the scanner glass. If only part of the image is blurred, your document may be wrinkled or warped.
- Try scanning at a higher resolution, and make sure the correct Image Type, Exposure, and Gamma settings are selected in EPSON Scan. Click the Help button on the EPSON Scan window for details.
- Clean the scanner glass with a soft, dry, lint-free cloth (paper towels are not recommended). If the glass is still not clean, use a small amount of glass cleaner on a soft cloth. Make sure you wipe off any remaining cleaner. Don't spray glass cleaner directly on the glass.
- Make sure the Stylus Photo RX620 is not tilted or placed on an unstable or uneven surface.



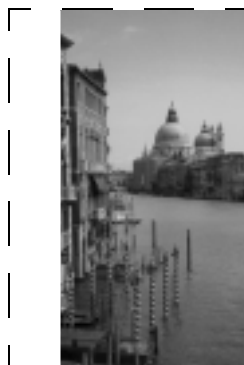
### **Your image is too dark.**

- Try adjusting the brightness with your application software. Also check the brightness and contrast values of your monitor.
- The dark frame around negative film is perceived as white, altering the exposure of the scan and causing it to appear darker. Set the correct color by adjusting the border (marquee) so only your photo is selected. Then scan again. Click Help in the EPSON Scan window for details.
- Change the Display Gamma setting and check the Destination setting in EPSON Scan. Click Help in the EPSON Scan window for details.



### **Only part of the photo is scanned.**

- The scanner has non-readable areas at the edges. Move your photo in about 1/8 inch from the edges of the scanner glass.
- If you're using Full Auto Mode, try using Home Mode or Professional Mode in EPSON Scan.



### **The image does not look the same as the original.**

- Your image and display settings may not be correct for your document type. Click Help in the EPSON Scan window for details.
- Your monitor and printer use different technologies to represent colors, so your printed colors can't match your screen colors exactly. Try increasing your monitor's color palette to view a greater range of colors.
- If you've removed the scanner lid to scan a thick document, try covering the document with a heavy cloth or paper to keep out ambient light.

### **The scanner doesn't recognize your image type when using Full Auto mode in EPSON Scan.**

Try scanning the image again. If that doesn't work, scan in Home or Professional mode.

### **The file size is too big.**

Adjust your scan settings. Try selecting a lower resolution (dpi), saving the file in a different format, or scanning only part of the image. Typically, 300 dpi is adequate for images that will be printed.

### **The printed image is larger or smaller than the original size.**

You have changed the resolution or scaled your image. The image size settings in your software determine the size of the printed image.

### **A dotted line appears in the image.**

- If this happens on both your screen and printout, clean the scanner glass with a soft, dry, lint-free cloth (paper towels are not recommended). If the glass is still not clean, use a small amount of glass cleaner on a soft cloth. Make sure you wipe off any remaining cleaner. Don't spray glass cleaner directly on the glass.
- If the line is just on your printout, you may need to clean your print head; see page 58.

## ***RX620 Screen Problems***

### **You can't read the menus or view photos on the RX620 screen.**

- You may need to adjust the RX620 screen contrast setting. Press the Setup button, then select LCD Contrast Adjustment and press OK. Use the ◀ and ▶ buttons to adjust the contrast, then press OK when done.
- The RX620 screen may be in sleep mode to protect the screen. If you see a message floating on the screen, press any button on the RX620 to wake the screen. Then press the button for the task you want to perform.

---

# Where To Get Help

If you need help with your Stylus Photo RX620 or EPSON Scan software, see “Epson Support” below.

If you need help with any other included software, see page 73.

## *Epson Support*

Epson provides technical assistance 24 hours a day through the electronic support services and automated telephone services listed in the following table:

Service	Access
World Wide Web	From the Internet, you can reach Epson Support at <a href="http://support.epson.com">http://support.epson.com</a> . At this site, you can download drivers and other files, look at product documentation, access troubleshooting information, and receive technical advice through e-mail.
Automated Telephone Services	A variety of automated help services are available 24 hours a day, seven days a week. To use these services, you must have a touch tone telephone and call <b>(800) 922-8911</b> . Your Epson SoundAdvice <sup>SM</sup> Express Code is 70595. Use this code to quickly select the Epson Stylus Photo RX620 in SoundAdvice.

To speak to a technical support representative, dial:

- US: **(562) 276-4382**, 6 AM to 6 PM, Pacific Time, Monday through Friday
- Canada: **(905) 709-3839**, 6 AM to 6 PM, Pacific Time, Monday through Friday

Toll or long distance charges may apply.

Before you call, please have the following information ready:

- Product name (Epson Stylus Photo RX620)
- Product serial number (located on the back)
- Proof of purchase and date of purchase
- Computer configuration
- Description of the problem



You can purchase ink cartridges, paper, manuals, and accessories from the Epson Store at (800) 873-7766, or visit [www.epsonstore.com](http://www.epsonstore.com) (U.S. sales only). In Canada, please call (800) 463-7766 for dealer referral.

## ***Other Software Technical Support***

<b>Software</b>	<b>Telephone</b>	<b>Online and E-mail</b>
EPSON Smart Panel™	(510) 445-8616 Fax: (510) 445-8601	<a href="http://www.newsoftinc.com">www.newsoftinc.com</a> <a href="mailto:tech@newsoftinc.com">tech@newsoftinc.com</a>
ArcSoft PhotoImpression	(510) 440-9901 8:30 AM to 5:30 PM, Pacific Time, Monday through Friday Fax: (510) 440-1270	<a href="http://www.arcsoft.com/techmain">www.arcsoft.com/techmain</a> <a href="mailto:support@arcsoft.com">support@arcsoft.com</a>





# Notices

---

## Important Safety Instructions

Before using your Epson Stylus Photo RX620, read and follow these safety instructions:

- Be sure to follow all warnings and instructions marked on the Stylus Photo RX620.
- Use only the type of power source indicated on the Stylus Photo RX620 label.
- Connect all equipment to properly grounded power outlets. Avoid using outlets on the same circuit as air control systems or other high-load devices that regularly switch on and off.
- Place the Stylus Photo RX620 near a wall outlet where the plug can be easily unplugged.
- Do not let the power cord become damaged or frayed.
- If you use an extension cord with the Stylus Photo RX620, make sure the total ampere rating of the devices plugged into the extension cord does not exceed the cord's ampere rating. Also, make sure the total ampere rating of all devices plugged into the wall outlet does not exceed the wall outlet's ampere rating.
- Avoid electrical outlets controlled by wall switches or automatic timers.
- Keep your Stylus Photo RX620 and computer system away from potential sources of electromagnetic interference, such as loudspeakers or cordless telephone base units.
- Avoid locations that are subject to rapid changes in heat or humidity, shocks or vibrations, or dust.
- Leave enough room around the Stylus Photo RX620 for sufficient ventilation.
- Do not place the Stylus Photo RX620 near a radiator or heating vent or in direct sunlight.
- Place the Stylus Photo RX620 on a flat, stable surface that extends beyond its base in all directions. It will not operate properly if it is tilted or at an angle. Leave enough space in front of the Stylus Photo RX620 (at least 9 inches) so it doesn't tip forward and fall off of the work surface.
- Turn off and unplug the Stylus Photo RX620 before cleaning. Clean with a damp cloth only. Do not spill liquid on it.
- Always turn the Stylus Photo RX620 off using the  On button. Don't turn off the power using a switch on a power strip or unplug the Stylus Photo RX620 until the  On light and LCD panel turn off.

- Do not block or cover openings in the Stylus Photo RX620 case or insert objects through the slots.
- Except as specifically explained in your documentation, do not attempt to service the Stylus Photo RX620 yourself.
- Unplug the Stylus Photo RX620 and refer servicing to qualified service personnel under the following conditions: if the power cord or plug is damaged; if liquid has entered the product; if the product has been dropped or the case damaged; if the product does not operate normally or exhibits a distinct change in performance. Adjust only those controls that are covered by the operating instructions.
- Before transporting the Stylus Photo RX620, make sure the print head is capped in the far right position, the ink cartridges are in place, and the scanner is secured by the transportation lock.
- When storing or transporting the Stylus Photo RX620, do not tilt it, stand it on its side, or turn it upside down. Otherwise ink may leak from the cartridges.
- The Stylus Photo RX620 includes a lamp component that contains mercury. Please consult your state and local regulations regarding disposal or recycling. Do not put in the trash.
- Do not remove the memory card or turn off this product while the computer and memory card are communicating (when the memory card light is flashing).
- Use only memory cards compatible with the Stylus Photo RX620.
- See the documentation for your memory card for specific instructions about how to use the card.

## ***Ink Cartridge Safety Instructions***

- Leave the ink cartridges installed. Removing the cartridges can dehydrate the print head and may prevent the Stylus Photo RX600 from printing.
- Keep ink cartridges out of the reach of children and do not drink the ink.
- Be careful when you handle used ink cartridges; there may be ink remaining around the ink supply port. If ink gets on your skin, wash it off with soap and water. If it gets in your eyes, flush them immediately with water.
- Do not put your hand inside the Stylus Photo RX620 or touch the cartridge during printing.
- Don't move the print head by hand; you may damage the printer.
- Don't shake cartridges after you remove them from their packages; this might cause leakage.
- Install the ink cartridge immediately after you remove it from its package. Leaving the cartridge unpacked for a long time before use may result in reduced print quality.

- Don't use a cartridge beyond the date printed on the cartridge package. For best results, use up the ink cartridges within six months of installing them.
- Store ink cartridges in a cool, dark place. Store each ink cartridge so that the bottom of its package faces down.
- After bringing an ink cartridge inside from a cold storage site, allow it to warm up at room temperature for at least three hours before using it.
- Do not remove or tear the label on an ink cartridge; this can cause leakage.
- Don't dismantle cartridges or refill them; you could damage the print head.
- Do not touch the green IC chip on the side of the cartridge. This may affect normal operation and printing.
- If you remove an ink cartridge for later use, protect the ink supply area from dirt and store it in the same environment as the Stylus Photo RX620. There is a valve in the ink supply port, making covers or plugs unnecessary, but care is needed to prevent the ink from staining items that the cartridge touches. Do not touch the ink cartridge ink supply port or surrounding area.

## ***LCD Panel Safety Instructions***

- Use only a dry soft cloth to clean the LCD display. Don't use liquid or chemical cleaners.
- If the LCD display is damaged, contact your dealer.
- If LCD solution gets on your skin, wash it off thoroughly with soap and water. If it gets in your eyes, flush them immediately with water.

---

# **FCC Compliance Statement**

## **For United States Users**

This equipment has been tested and found to comply with the limits for a Class B digital device, pursuant to Part 15 of the FCC Rules. These limits are designed to provide reasonable protection against harmful interference in a residential installation. This equipment generates, uses, and can radiate radio frequency energy and, if not installed and used in accordance with the instructions, may cause harmful interference to radio or television reception. However, there is no guarantee that interference will not occur in a particular installation. If this

equipment does cause interference to radio and television reception, which can be determined by turning the equipment off and on, the user is encouraged to try to correct the interference by one or more of the following measures:

- Reorient or relocate the receiving antenna.
- Increase the separation between the equipment and receiver.
- Connect the equipment into an outlet on a circuit different from that to which the receiver is connected.
- Consult the dealer or an experienced radio/TV technician for help.

### **WARNING**

The connection of a non-shielded equipment interface cable to this equipment will invalidate the FCC Certification of this device and may cause interference levels which exceed the limits established by the FCC for this equipment. It is the responsibility of the user to obtain and use a shielded equipment interface cable with this device. If this equipment has more than one interface connector, do not leave cables connected to unused interfaces. Changes or modifications not expressly approved by the manufacturer could void the user's authority to operate the equipment.

### **For Canadian Users**

This Class B digital apparatus complies with Canadian ICES-003.

*Cet appareil numérique de la classe B est conforme à la norme NMB-003 du Canada.*

---

## **Declaration of Conformity**

According to 47CFR, Part 2 and 15 for: Class B Personal Computers and Peripherals; and/or CPU Boards and Power Supplies used with Class B Personal Computers:

We:	Epson America, Inc.
Located at:	MS 3-13 3840 Kilroy Airport Way Long Beach, CA 90806 Telephone: (562) 290-5254

Declare under sole responsibility that the product identified herein complies with 47CFR Part 2 and 15 of the FCC rules as a Class B digital device. Each product marketed is identical to the representative unit tested and found to be compliant with the standards. Records maintained continue to reflect the equipment being produced can be expected to be within the variation accepted, due to quantity production and testing on a statistical basis as required by 47CFR §2.909.

Operation is subject to the following two conditions: (1) this device may not cause harmful interference, and (2) this device must accept any interference received, including interference that may cause undesired operation.

Trade Name:	Epson
Type of Product:	Multi Function Printer
Model:	C171C

---

## ENERGY STAR Compliance

As an ENERGY STAR® Partner, Epson has determined that this product meets the ENERGY STAR guidelines for energy efficiency. The EPA ENERGY STAR office equipment program is a voluntary partnership with the computer and office equipment industry to promote the introduction of energy-efficient personal computers, monitors, printers, fax machines, and copiers in an effort to reduce air pollution caused by power generation.



---

## Epson America, Inc. Limited Warranty

**What Is Covered:** Epson America, Inc. (“Epson”) warrants to the original retail purchaser that the Epson printer covered by this limited warranty statement, if purchased and operated only in the United States or Canada, conforms to the manufacturer’s specifications and will be free from defects in workmanship and materials for a period of one (1) year from the date of original purchase. Epson also warrants that the consumable ink cartridges enclosed with the printer will perform to the manufacturer’s specified usage, which usage may expire before the expiration of the limited warranty for the Epson printer. For warranty service, you must provide proof of the date of original purchase.

**What Epson Will Do To Correct Problems:** Should your Epson printer prove defective during the warranty period, please call the EPSON Connection<sup>SM</sup> at (562) 276-4382 (U.S.) or (905) 709-3839 (Canada) for warranty repair instructions and return authorization. An Epson service technician will provide telephone diagnostic service to determine whether the printer requires service. If service is needed, Epson will, at its option, exchange or repair the printer without charge for parts or labor. If Epson authorizes an exchange for the defective unit, Epson will ship a replacement printer to you, freight prepaid, so long as you use an address in Canada or the U.S. (excluding Puerto Rico and U.S. Possessions). Shipments to other locations will be made freight collect. You are responsible for securely packaging the defective unit and returning it to Epson within five (5) working days of receipt of the replacement. Epson requires a debit or a credit card number to secure the cost of the replacement printer in the event that you fail to return the defective one. If your printer is being repaired, Epson will direct you to send your printer to Epson or its authorized service center, where the printer will be fixed and sent back to you. You are responsible for packing the printer and for all costs to and from the Epson authorized service center. When warranty service involves the exchange of the printer or a part, the item replaced becomes Epson property. The replacement printer or part may be new or refurbished to the Epson standard of quality, and, at Epson's option, may be another model of like kind and quality. Epson's liability for replacement of the covered printer will not exceed the original retail selling price of the covered printer. Exchange products and parts assume the remaining warranty period of your original product covered by this limited warranty.

**What This Warranty Does Not Cover:** This warranty does not apply to refurbished or reconditioned products. This warranty covers only normal use in the United States and Canada. This warranty is not transferable. This warranty does not cover any color change or fading of prints or reimbursement of materials or services required for reprinting. This warranty does not cover damage to the Epson product caused by parts or supplies not manufactured, distributed or certified by Epson. This warranty does not cover ribbons, ink cartridges or third party parts, components, or peripheral devices added to the Epson product after its shipment from Epson, e.g., dealer or user-added boards or components. Epson is not responsible for warranty service should the Epson label or logo or the rating label or serial number be removed or should the product fail to be properly maintained or fail to function properly as a result of misuse, abuse, improper installation, neglect, improper shipping, damage caused by disasters such as fire, flood, and lightning, improper electrical current, software problems, interaction



with non-Epson products, or service other than by an Epson Authorized Servicer. If a claimed defect cannot be identified or reproduced, you will be held responsible for the costs incurred.

THE WARRANTY AND REMEDY PROVIDED ABOVE ARE EXCLUSIVE AND IN LIEU OF ALL OTHER EXPRESS OR IMPLIED WARRANTIES INCLUDING, BUT NOT LIMITED TO, THE IMPLIED WARRANTIES OF MERCHANTABILITY, NON-INFRINGEMENT OR FITNESS FOR A PARTICULAR PURPOSE. SOME LAWS DO NOT ALLOW THE EXCLUSION OF IMPLIED WARRANTIES. IF THESE LAWS APPLY, THEN ALL EXPRESS AND IMPLIED WARRANTIES ARE LIMITED TO THE WARRANTY PERIOD IDENTIFIED ABOVE. UNLESS STATED HEREIN, ANY STATEMENT OR REPRESENTATIONS MADE BY ANY OTHER PERSON OR FIRM ARE VOID. EXCEPT AS PROVIDED IN THIS WRITTEN WARRANTY, NEITHER EPSON AMERICA, INC. NOR ITS AFFILIATES SHALL BE LIABLE FOR ANY LOSS, INCONVENIENCE, OR DAMAGE, INCLUDING DIRECT, SPECIAL, INCIDENTAL OR CONSEQUENTIAL DAMAGES, RESULTING FROM THE USE OR INABILITY TO USE THE EPSON PRODUCT, WHETHER RESULTING FROM BREACH OF WARRANTY OR ANY OTHER LEGAL THEORY.

In Canada, warranties include both warranties and conditions.

Some jurisdictions do not allow limitations on how long an implied warranty lasts, and some jurisdictions do not allow the exclusion or limitation of incidental or consequential damages, so the above limitations and exclusions may not apply to you. This warranty gives you specific legal rights and you may have other rights which vary from jurisdiction to jurisdiction.

Epson America, Inc. ■ P.O. Box 93012 ■ Long Beach, CA 90809-3012



# Index

## A

Aligning print head, 59 to 60

## B

Backwards image, 69

Banding, 66 to 67

Blank pages, 64

Blurry

prints, 67

scan, 69

Borderless printing, 11, 13, 19, 27, 29

Brightness, 10, 12, 30, 69

## C

Camera, printing from, 23 to 37

Canceling printing, 10, 12, 19, 25, 27, 33,  
34, 37

Card reader, 47 to 49

CardMonitor, 48 to 49

Cartridges, replacing, 53 to 57

CDs, saving files on, 50 to 51

Characters, incorrect, 68

Checking print nozzles, 58

Cleaning print head, 59

Color

incorrect, 68 to 70

restoration, 20 to 21

Contact sheet, 32 to 34

Contrast, 30, 71

Copies

brightness, 10, 12

darkening, 10, 12

enlarging, 10, 11

lightening, 10, 12

reducing, 10, 11

sizes, 10, 11

Copy

density, 10, 12

layout, 13 to 14

quality, 10, 12, 19

settings, 10, 11 to 12, 19

Copy Options button, 12, 13

Copying

layout options, 13 to 14

paper type, 12, 28 to 29

photos, 11 to 12

slides and negatives, 15 to 19

text and graphics, 9 to 10

Correcting color, 69

Cropping, 19, 30, 36 to 37

Cut off prints, 19, 64

## D

Dark image, 69

Dark RX620 screen, 71

Darkening copies, 10, 12

Date, 30

Declaration of Conformity, 78

Default settings, RX620, 31

Density, 10, 12

Digital camera

compatible file types, 34

printing from, 23 to 37

Display problems, 71

Document

placing on glass, 9

position problems, 70

DPOF (Digital Print Order Format), 31

## E

Ejecting memory cards, 52  
Empty ink, 55  
ENERGY STAR Compliance, 79  
Enlarge copy, 10, 11

## F

Factory settings, 31  
Faded photos, 20 to 21  
Faint prints, 67  
Faster printing or copying, 63  
FCC statement, 77  
Feeding problems, 65 to 66  
File size, 71  
File types, memory card, 23  
Film  
    printing from, 15 to 19  
    scanning to memory card, 41 to 46  
Film holder  
    loading film, 16 to 17, 43 to 44  
    loading slides, 16, 43  
    removing from scanner lid, 15, 42  
Fit to Frame, 30  
Flash memory card, 47 to 52  
Fluorescent lamp, 16, 17, 43, 44, 64

## G

Gaps in prints, 67  
Grainy printouts, 68

## H

Help, 72 to 73  
High Speed setting, 63, 67

## I

Image quality problems, 69 to 71  
Incorrect characters, 68

Incorrect colors, 68 to 70  
Index sheet, 32 to 34  
Ink cartridges  
    checking levels, 53 to 54  
    empty, 55  
    low, 55  
    ordering, 73  
    part numbers, 54  
    purchasing, 54  
    replacing, 53 to 57  
    safety instructions, 54, 76 to 77  
Ink levels, 53  
Ink nozzle check, 58  
Installing ink cartridges, 55 to 57  
Inverted image, 69

## J

Jammed paper, 65 to 66  
JPEG file requirements, 23, 34

## L

Lamp, fluorescent, 16, 17, 43, 44, 64  
Layout  
    copy, 13 to 14  
    print, 29  
Layout problems, 69  
LCD  
    contrast, 71  
    safety instructions, 77  
Lid, removing, 9  
Lightening copies, 10, 12  
Lines in prints, 66 to 67  
Low ink, 55

## M

Macintosh  
    CardMonitor, 49  
    ejecting memory cards, 52  
    PhotoStarter, 48 to 49

Margin problems, 64  
Memory card light, 24, 40  
Memory cards  
    compatible, 23  
    cropping photos from, 36 to 37  
    index sheet of photos on, 32 to 34  
    inserting, 24  
    removing, 52  
    saving files from, 47 to 51  
    scanning to, 40 to 46  
    supported file types, 23  
    transferring to computer, 47 to 49  
Mirror images, 69

## N

Negatives  
    loading, 17, 44  
    printing from, 15 to 19  
    scanning to memory card, 41 to 46  
Network printing, 62  
Noise, 61, 62  
Nozzle check, 58

## P

Paper  
    jams, 65 to 66  
    loading, 7 to 8  
    ordering, 73  
Paper Type setting, 10, 12, 19, 27  
Photo Info setting, 30  
Photos  
    cropping, 36 to 37  
    placing on glass, 9  
    position problems, 70  
    restoring color in, 20 to 21  
    scanning to memory card, 40 to 46  
    supported file types, 23  
    transferring to computer, 47 to 49  
PhotoStarter, 48 to 49  
PictBridge, 34

Print head  
    aligning, 59 to 60  
    cleaning, 59  
Print head noise, 61, 62  
Print quality, 10, 12, 19, 27  
Printing  
    from camera, 23 to 37  
    from index sheet, 32 to 34  
    from memory card, 23 to 37  
    from USB storage drive, 51

## Problems

    copying, 63 to 64  
    image quality, 69 to 71  
    installing software, 61 to 62  
    paper feeding, 65 to 66  
    print quality, 66 to 68  
    printing, 58, 63 to 64, 68 to 69  
    scan quality, 69 to 71  
    scanning, 64 to 65  
    screen, RX620, 71  
    setup, 61 to 62  
    solving, 61 to 73  
Proof sheet, 32 to 34

## R

Reduce copy, 10, 11  
Removing ink cartridges, 55 to 57  
Replacing ink cartridges, 53 to 57  
Resizing copies, 10, 11  
Restoring color, 20 to 21  
Restoring default settings, 31

## S

Safety instructions, 54, 75 to 77  
Saturation, 30  
Saving  
    files from memory cards, 47 to 51  
    photos on computer, 47 to 49  
Scanner lid, 9

## Scanning

- film and slides, 41 to 46
- index sheet, 34
- problems, 64 to 65, 69 to 71
- to a memory card, 40 to 46

## Screen, RX620

- contrast, 71
- safety instructions, 77

## Setup mode, 31

## Setup problems, 61 to 62

## Sharpness, 30

## Sleep mode

- RX620 screen, 71
- scanning lamp, 64

## Slides

- printing from, 15 to 19
- scanning to memory card, 41 to 46

## Slow printing or copying, 63

## Smears, 67

## Software installation problems, 61 to 62

## Solving problems, 61 to 73

## Stopping printing, 10, 12, 19, 25, 27, 33, 34, 37

## Supplies, ordering, 73

## Support, 72 to 73

## T

## Technical support, 72 to 73

## Text, incorrect, 68

## Thick document, copying, 9

## Thumb drive, 47 to 52

## Thumbnail printing, 32 to 34

## Time, 30

## Troubleshooting, 61 to 73

## U

## USB Direct Print, 34

## USB thumb drive, 47 to 52

## W

## Warranty, 79 to 81

## Windows

- CardMonitor, 47 to 48
- ejecting memory cards, 52
- PhotoStarter, 47 to 48

## Wrinkled paper, 66

## Z

## Zip drive, 47 to 52

## Zoom In/Out, copying, 10, 11









## How to Copy, Print, and Scan Without a Computer

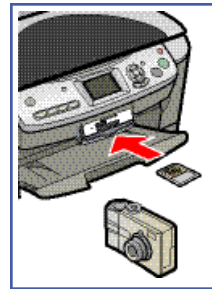
Your Stylus Photo RX620 lets you create bright, vivid photos that are ready to frame, place in an album or scrapbook, or share with family and friends. You can copy, print, scan, restore old photos, and make reprints and enlargements—even without a computer!

### Use your RX620 like a color photocopier

Copy and print photos, scrapbook elements, documents, and other materials. With the included film holder, you can even print beautiful photos from slides and negatives. To learn how, see the “Copying” section in this guide.

### Print directly from your camera

Print your photos by inserting your camera’s memory card or connecting your camera to the RX620. For instructions, see “Making Prints From Your Digital Camera” in this guide. After printing your photos, you can transfer them to your computer or to an external CD drive, USB thumb drive, or Zip disk for safe keeping (see “Saving and Storing Photos”).



### Turn your printed photos into digital images

Scan photos, film, and other printed materials. See “Scanning to a Memory Card” in this guide.

To use your computer with the RX620, see the on-screen *Reference Guide* for instructions.

# How To Order Epson Ink and Paper

To order Epson ink cartridges and paper, contact your dealer or call the Epson Store at (800) 873-7766, or visit [www.epsonstore.com](http://www.epsonstore.com) (U.S. sales only). In Canada, please call (800) 463-7766 for dealer referral.

## Epson Ink Cartridges

Black: T048120  
 Cyan: T048220  
 Light Cyan: T048520  
 Magenta: T048320  
 Light Magenta: T048620  
 Yellow: T048420

**Note: A color ink multipack is also available (T048920).**



## Epson Papers

Paper name	Size	Part number
Epson Premium Bright White Paper	Letter (8.5 x 11 inches)	S041586
Epson Photo Quality Ink Jet Paper	Letter (8.5 x 11 inches)	S041062
	A4 (8.3 x 11.7 inches)	S041061
	Legal (8.3 x 14 inches)	S041067
Epson Photo Paper	Panoramic (8.3 x 23 inches)	S041145
	A4 (8.3 x 11.7 inches)	S041140
	Letter (8.5 x 11 inches)	S041272
Epson Glossy Photo Paper	Borderless 4 x 6 inches	S041809
	Letter (8.5 x 11 inches)	S041141/S041649
Epson All-Purpose Glossy Paper	Letter (8.5 x 11 inches)	S041654
Epson ColorLife Photo Paper	Letter (8.5 x 11 inches)	S041500
Epson Matte Paper Heavyweight	Borderless 8 x 10 inches	S041467
	Letter (8.5 x 11 inches)	S041257
Epson Double-Sided Matte Paper	Letter (8.5 x 11 inches)	S041568
Epson Premium Glossy Photo Paper	Letter (8.5 x 11 inches)	S041286/S041667
	Borderless 4 x 6 inches	S041727/S041808
	Borderless 5 x 7 inches	S041464
	Borderless 8 x 10 inches	S041465
Epson Premium Semigloss Photo Paper	Letter (8.5 x 11 inches)	S041331
Epson Premium Luster Photo Paper	Letter (8.5 x 11 inches)	S041405
Epson Photo Quality Self Adhesive Sheets	A4 (8.3 x 11.7 inches)	S041106
Epson Ink Jet Transparencies	Letter (8.5 x 11 inches)	S041064
Epson Iron-On Transfer Paper	Letter (8.5 x 11 inches)	S041153
Epson Glossy Photo Greeting Cards	Letter (8.5 x 11 inches)	S041606
Epson Semigloss Scrapbook Photo Paper	Letter (8.5 x 11 inches)	SCR1001
PremierArt™ Matte Scrapbook Photo Paper for Epson	Letter (8.5 x 11 inches)	SCR1002
Epson Photo Quality Ink Jet Cards	A6 (4.1 x 5.8 inches)	S041054
Epson Photo Stickers	A6 (4.1 x 5.8 inches)	S041144