

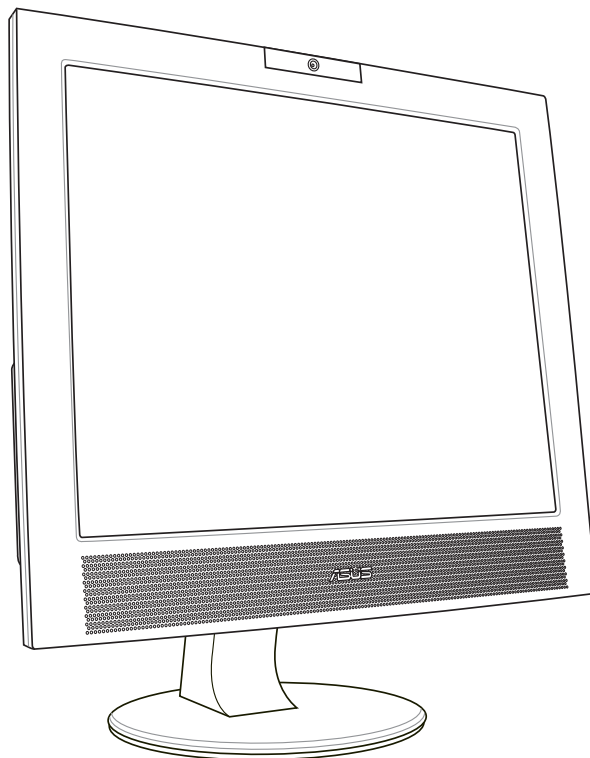
ASUS[®]

PG191

LCD Monitor

English

Quick Start Guide

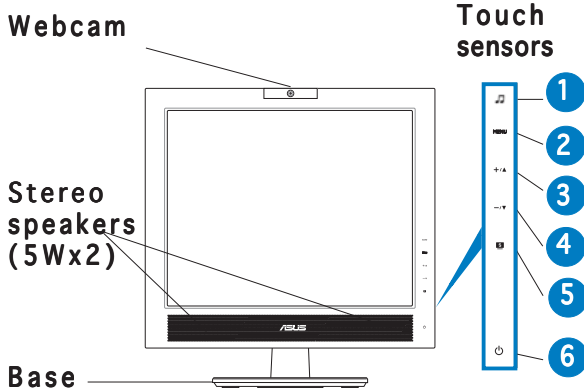


Safety information

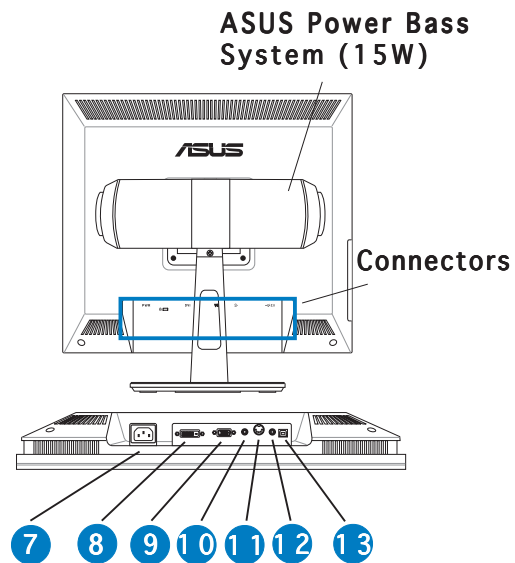
- Before setting up the monitor, carefully read all the documentation that came with the package.
- To prevent fire or shock hazard, never expose the monitor to rain or moisture.
- The monitor should be operated only from the type of power source indicated on the label. If you are not sure of the type of power supplied to your home, consult your dealer or local power company.
- Use the appropriate power plug which complies with your local power standard.
- To ensure satisfactory operation, use the monitor only with UL listed computers which have appropriate configured receptacles marked between 100-240V AC.
- If you encounter technical problems with the monitor, contact a qualified service technician or your retailer.

Monitor introduction

Front view



Rear view



1. Sound sensor*
2. MENU sensor/ Confirmation sensor
3. Increase sensor/Brightness hotkey
4. Decrease sensor/Volume hotkey
5. SPLENDID™ sensor**/Exit MENU/ Automatic adjusting sensor***
6. Power sensor/LED indicator

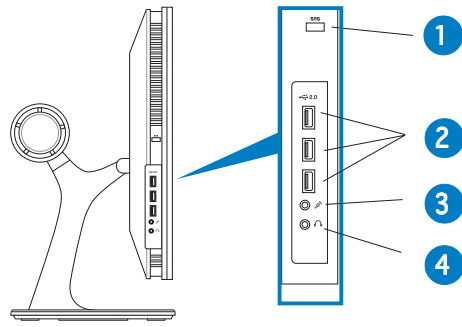
7. AC-in port
8. DVI port
9. VGA port
10. Audio-input port
11. Woofer port
12. Microphone-output port
13. USB port (Upstream)

* Hotkey for 5 sound preset mode selection.

** Hotkey for 5 video preset mode selection.

*** Adjusts the image automatically by touching the sensor for 2-3 seconds.

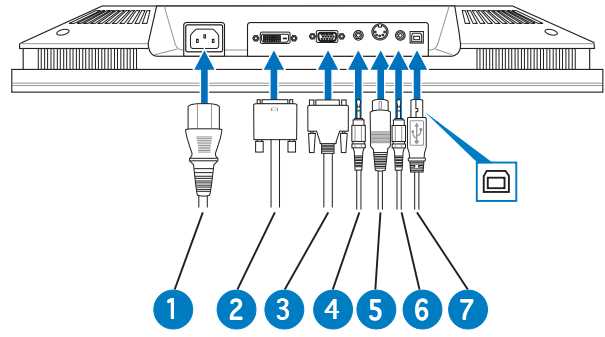
Side view



- | |
|----------------------|
| 1. SRS On/Off button |
| 2. USB 2.0 ports |
| 3. Microphone port |
| 4. Headphone port |

Connecting the cables

Connect the cables as shown:



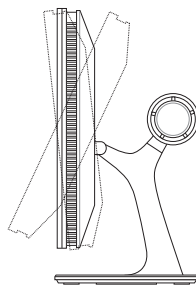
- | |
|---------------------------|
| 1. Power cord |
| 2. DVI cable |
| 3. VGA cable |
| 4. Audio cable (gray) |
| 5. Woofer cable |
| 6. Microphone cable (red) |
| 7. USB cable |

- **To connect the USB cable:** connect one end of the USB cable to the monitor's USB port (as the above drawing shows), the other end to the computer's.
- **To connect the microphone/audio cables:** connect one end (red/gray) of the microphone/audio cables to the monitor's microphone-out/audio-in ports, the other end (red/green) to the computer's microphone-in/audio-out ports.
- **To connect the VGA/DVI cables:**
 - a. Plug the VGA/DVI connectors to the monitor's VGA/DVI ports.
 - b. Connect the other end of the VGA/DVI cables to your computer's VGA/DVI ports.
 - c. Tighten the two screws to secure the VGA/DVI connectors.
- **To connect the power cord:** connect one end of the power cord securely to the monitor's AC input port, the other end to a power outlet.
- **To connect the woofer cable:** connect the woofer cable to the monitor's woofer port.

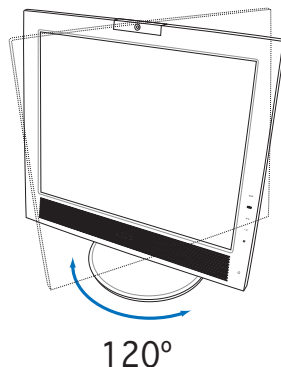
Adjusting the monitor

1. Grasp the top of the monitor and adjust the tilt within -5° to 25° .

$-5^{\circ}\sim 25^{\circ}$



2. The swivel base allows you to turn the monitor left/right up to 120° .

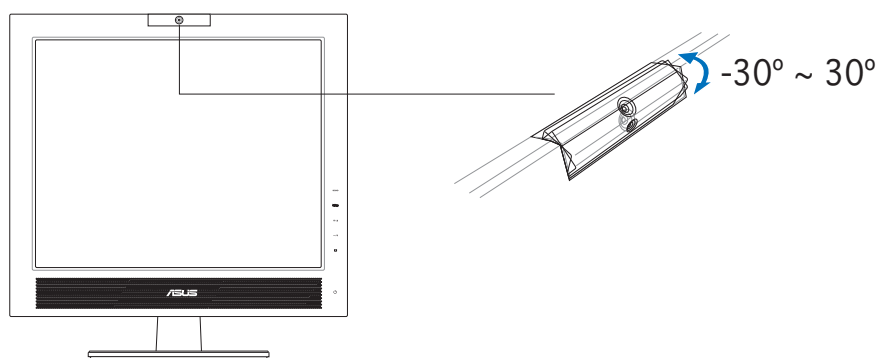


Built-in webcam introduction

This built-in webcam allows you to take photos and make videos; while talking to friends via Internet-based communication tools, you can use the webcam to show your vivid image.

Hardware

- The 1.3 megapixel webcam transmits images to your PC through the USB ports. Make sure that you have connected the USB plugs of the supplied 4-in-1 cable before you use the webcam.
- The webcam is adjustable upward and downward as shown.



Warning: Do not turn the webcam upward or downward over 30° ; doing so might damage the webcam.

Software

To install the webcam driver:

1. Close all other applications first.
2. Insert the support CD into the optical drive and run the **ASUS USB2.0 Webcam** program.

The default webcam resolution is 640 x 480. If you want to change the default resolution to meet different kinds of application programs, go to **C:\WINDOWS\ASUS USB2.0 Webcam** and activate the program named LifeCam to modify the settings based on your needs.



- The default webcam captured video format is VGA (640 x 480) mode in order to increase the transmission efficiency via all kinds of Internet communication tools.
- Before using the webcam, you need to install the webcam driver into your PC.
- The webcam driver only supports Microsoft® Windows 2000/XP operating system with Microsoft® Direct X.

LifeFrame software

Introduction and installation instructions

To capture snapshots or video clips, ASUS PG191 provides an easy-to-use LifeFrame that can work with the built-in webcam, allowing users to create their own photos or video clips.



-
- LifeFrame only supports Microsoft® Windows® 2000/XP operating systems.
 - Before starting to use this software, install LifeFrame into your PC.
 - The LifeFrame software is bundled in the PG191 support CD.
-

System requirements are as follows:

1. A personal computer with Pentium® III 800 MHz or higher processor
2. Microsoft® Windows® 2000/XP operating systems
3. Minimum 200 MB free hard disk space to run the program
4. 128 MB of RAM or above
5. A display card supporting 16-bit high color mode

Installation instructions:

1. Close all other applications.
2. Insert the support CD into the optical drive and run the LifeFrame program.
3. Follow the on-screen instructions to complete the installation



Make sure that you connect the USB plug of the supplied 4-in-1 cable to the USB port at the back of the LCD monitor; otherwise, the built-in webcam and LifeFrame will not be activated.
