

Elo Touchmonitor User Guide

For 12.1" LCD Kiosk Touchmonitors
1247L Series

Elo Touchmonitor User Guide

12.1" LCD Kiosk Touchmonitor
1247L Series

Revision C

P/N 008570

Elo TouchSystems, Inc.

1-800-ELOTOUCH
www.elotouch.com

Copyright © 2008 Elo TouchSystems Inc. All Rights Reserved.

No part of this publication may be reproduced, transmitted, transcribed, stored in a retrieval system, or translated into any language or computer language, in any form or by any means, including, but not limited to, electronic, magnetic, optical, chemical, manual, or otherwise without prior written permission of Elo TouchSystems.

Disclaimer

The information in this document is subject to change without notice. Elo TouchSystems makes no representations or warranties with respect to the contents hereof, and specifically disclaims any implied warranties of merchantability or fitness for a particular purpose. Elo TouchSystems reserves the right to revise this publication and to make changes from time to time in the content hereof without obligation of Elo TouchSystems to notify any person of such revisions or changes.

Trademark Acknowledgments

IntelliTouch, SecureTouch, AccuTouch, and MonitorMouse are trademarks of Elo TouchSystems, Inc.

Other product names mentioned herein may be trademarks or registered trademarks of their respective companies. Elo TouchSystems claims no interest in trademarks other than its own.

◆ **Table of Contents** ◆

<p>Chapter 1</p> <p>Introduction 1</p> <p>Product Description 1</p> <p>Precautions 1</p> <p>About the Product 2</p> <p>Chapter 2</p> <p>Installation and Setup 3</p> <p>Unpacking Your Touchmonitor. 3</p> <p>Product Overview 4</p> <p style="padding-left: 20px;">Main Unit 4</p> <p style="padding-left: 20px;">Rear View 4</p> <p>Touch Interface Connection 5</p> <p>Installing the Driver Software 6</p> <p style="padding-left: 20px;">Installing the Serial Touch Driver. 7</p> <p style="padding-left: 40px;">Installing the Serial Touch Driver for Windows XP, 2000, Me, 95/98 and NT 4.0 7</p> <p style="padding-left: 40px;">Installing the Serial Touch Driver for MS-DOS and Windows 3.1 8</p> <p>Chapter 3</p> <p>Operation 9</p> <p>About Touchmonitor Adjustments 9</p> <p>Controls and Adjustment 12</p> <p style="padding-left: 20px;">OSD Menu Functions 12</p> <p style="padding-left: 20px;">OSD Control Options. 13</p> <p style="padding-left: 40px;">Contrast 13</p> <p style="padding-left: 40px;">Brightness. 13</p> <p style="padding-left: 40px;">V-position 13</p> <p style="padding-left: 40px;">H-position 13</p> <p style="padding-left: 40px;">Recall Defaults 13</p> <p style="padding-left: 40px;">RGB 13</p> <p style="padding-left: 40px;">OSD Exit 13</p> <p style="padding-left: 40px;">Sharpness. 13</p> <p style="padding-left: 40px;">Phase. 13</p> <p style="padding-left: 40px;">Clock 13</p> <p style="padding-left: 40px;">OSD H-Position 13</p> <p style="padding-left: 40px;">OSD V-Position. 13</p> <p style="padding-left: 40px;">OSD Time. 13</p> <p style="padding-left: 40px;">Auto Adjust 14</p> <p style="padding-left: 40px;">OSD Language. 14</p> <p style="padding-left: 40px;">Information 14</p>	<p>Chapter 4</p> <p>Troubleshooting 15</p> <p>Solutions to Common Problems 15</p> <p>Appendix A</p> <p>Native Resolution 17</p> <p>Appendix B</p> <p>Touchmonitor Safety 19</p> <p>Care and Handling of Your Touchmonitor. 20</p> <p>Appendix C</p> <p>Technical Specifications 21</p> <p>Display Modes 21</p> <p>Touchmonitor Specifications 22</p> <p>Mounting Options 23</p> <p style="padding-left: 20px;">Horizontal Mount 23</p> <p style="padding-left: 20px;">Vertical Mount 24</p> <p style="padding-left: 20px;">No BracketMount. 25</p> <p>Regulatory Information 27</p> <p>Warranty 31</p> <p>Index 33</p>
--	---

INTRODUCTION

Product Description

Congratulations on your purchase of an Elo TouchSystems touchmonitor. Your new touchmonitor combines the reliable performance of Elo's touch technology with the latest advances in LCD display design. This combination of features creates a natural flow of information between a user and your touchmonitor.

This LCD monitor incorporates 12.1" color active matrix thin-film-transistor (TFT) liquid crystal display to provide superior display performance. A maximum resolution of SVGA 800x600 is ideal for displaying graphics and images. Other outstanding designs that enhance this LCD monitor's performance are Plug & Play compatibility, and OSD (On Screen Display) controls.

NOTE Some monitors do not have the touchscreen capability.

Precautions

Follow all warnings, precautions and maintenance as recommended in this user's manual to maximize the life of your unit. See Appendix B for more information on touchmonitor safety.

About the Product

Your LCD Desktop Touchmonitor is a 12.1" SVGA TFT color display with the following features:

- High contrast color TFT LCD display support resolution up to SVGA 800x600. Compatible with IBM VGA and VESA.
- Power management system conforms to VESA DPMS standard.
- Universal power adapter.
- Supports DDC1/2B for Plug & Play compatibility.
- Advanced OSD control for picture quality adjustment.
- VESA lat panel monitor physical mounting interface(75mm)
- Optional touch screen function.

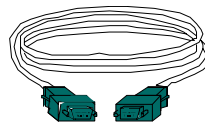
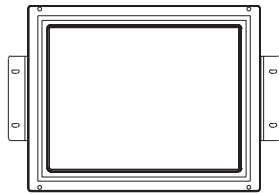
For full Product Specifications refer to Appendix C.

INSTALLATION AND SETUP

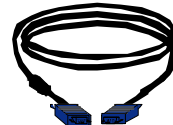
This chapter discusses how to install your LCD touchmonitor and how to install Elo TouchSystems driver software.

Unpacking Your Touchmonitor

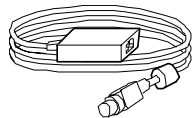
Check that the following 10 items are present and in good condition:



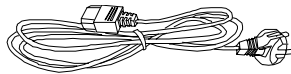
Serial cable



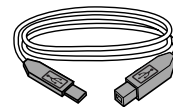
VGA cable



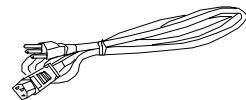
Brick power supply



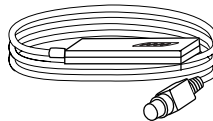
European power cable



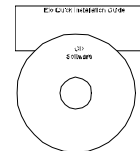
USB caeble



Power cable US/Canada



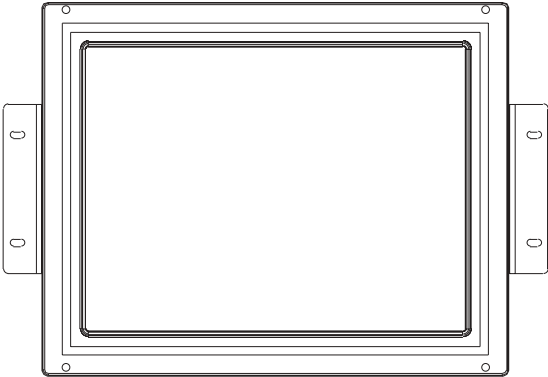
OSD Remote



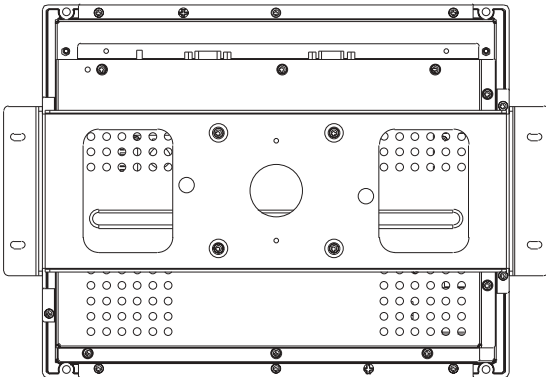
CD and Quick Install Guide

Product Overview

Main Unit

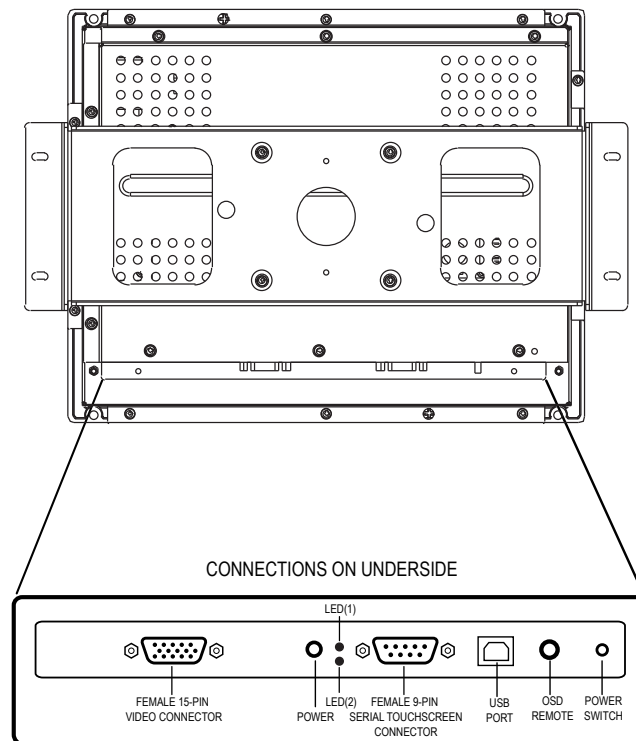


Rear View



Touch Interface Connection

NOTE: Before connecting the cables to your touchmonitor and PC, be sure that the computer and touchmonitor are turned off.



- 1 Connect one end of the **power adapter** to the monitor and the other end to the connector of the power cord.
- 2 Connect one end of the **video cable** to the rear side of computer and the other to the LCD monitor. Tighten by turning the two thumb screws clockwise to ensure proper grounding.
- 3 Connect one end of the **touchscreen (RS232) cable** to the rear side of computer and the other to the LCD monitor. Tighten by turning the two thumb screws clockwise to ensure proper grounding. (optional module)
- 4 Press the **power button** on rear panel to turn the monitor power on.
- 5 Connect one end of the **USB cable** to the rear side of the other to the lcd monitor.

Installing the Driver Software

Elo TouchSystems provides driver software that allows your touchmonitor to work with your computer. Drivers are located on the enclosed CD-ROM for the following operating systems:

- Windows XP
- Windows 2000
- Windows Me
- Windows 98
- Windows 95
- Windows NT 4.0

Additional drivers and driver information for other operating systems (including MS DOS, Windows 3.x, OS/2, Macintosh and Linux) are available on the Elo TouchSystems web site at www.elotouch.com.

Your Elo touchmonitor is plug-and-play compliant. Information on the video capabilities of your touchmonitor is sent to your video display adapter when Windows starts. If Windows detects your touchmonitor, follow the instructions on the screen to install a generic plug-and-play monitor.

Refer to the appropriate following section for driver installation instructions.

Installing the Serial Touch Driver

Installing the Serial Touch Driver for Windows XP, 2000, Me, 95/98 and NT 4.0

NOTE: For Windows 2000 and NT 4.0 you must have administrator access rights to install the driver.

- 1** Insert the Elo CD-ROM in your computer's CD-ROM drive.
- 2** If the AutoStart feature for your CD-ROM drive is active, the system automatically detects the CD and starts the setup program.
- 3** Follow the directions on the screen to complete the driver setup for your version of Windows.
- 4** If the AutoStart feature is not active:
- 5** Click **Start > Run**.
- 6** Click the **Browse** button to locate the EloCd.exe program on the CD-ROM.
- 7** Click **Open**, then **OK** to run EloCd.exe.
- 8** Follow the directions on the screen to complete the driver setup for your version of Windows.

Installing the Serial Touch Driver for MS-DOS and Windows 3.1

You must have a DOS mouse driver (MOUSE.COM) installed for your mouse if you wish to continue using your mouse along with your touchmonitor in DOS.

To install Windows 3.x and MS-DOS from Windows 95/98, follow the directions below:

- 1 Insert the Elo CD-ROM in your computer's CD-ROM drive.
- 2 From DOS, type `d:\EloDos_W31` to change to the correct directory on the CD-ROM (your CD-ROM drive may be mapped to a different drive letter).
- 3 Type `install` and press **Enter** to start the installation.
- 4 Align the touchscreen.

You must have already completed Steps 1 and 2 before proceeding. Refer to Chapter 2 of the Elo DOS and Windows Driver Guide as necessary for additional installation information.

To run the INSTALL program:

- 1 Type `INSTALL` at the DOS prompt in the directory containing the driver install files.
- 2 `INSTALL` asks you to select the software to install. Then choose `d:\EloDos_W31` from the displayed list.
- 3 `INSTALL` also asks you for the paths to use during installation, or you may use its defaults. `INSTALL` creates directories as necessary, and warns you if they exist.

If you are updating your software, you may wish to specify the paths containing the earlier versions, and overwrite the obsolete files. All executable programs are upward compatible. For a list of differences from each previous version of the drivers, be sure to select "Differences from Previous Versions" during the installation process.

`INSTALL` updates your `AUTOEXEC.BAT` file with the drivers you select. `INSTALL` makes a copy of your original `AUTOEXEC.BAT` file, called `AUTOEXEC.OLD`. If you already have Elo driver commands in your `AUTOEXEC.BAT` file, they will be commented out.

When `INSTALL` is finished, it leaves a file called `GO.BAT` in the subdirectory you specified. `GO` loads the touchscreen driver, runs the calibration program `ELOCALIB`, and gives you some final instructions.

If you are using Windows 3.1, you will also calibrate the touchscreen within Windows 3.1 with the Touchscreen Control Panel.

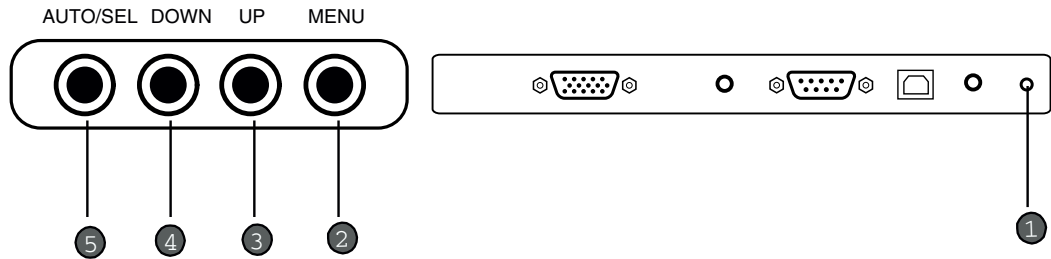
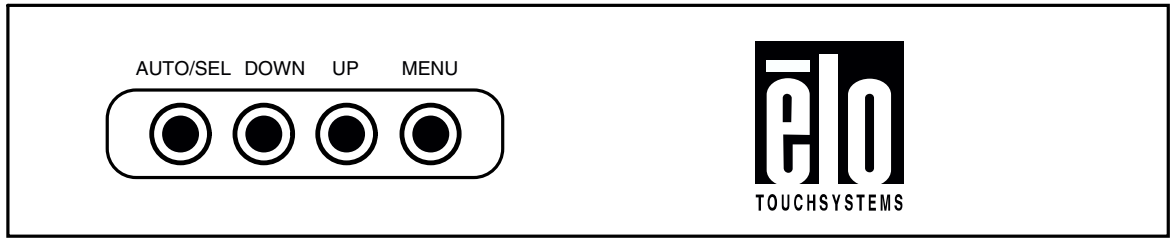
About Touchmonitor Adjustments

Your touchmonitor will unlikely require adjustment. Variations in video output and application may require adjustments to your touchmonitor to optimize the quality of the display.

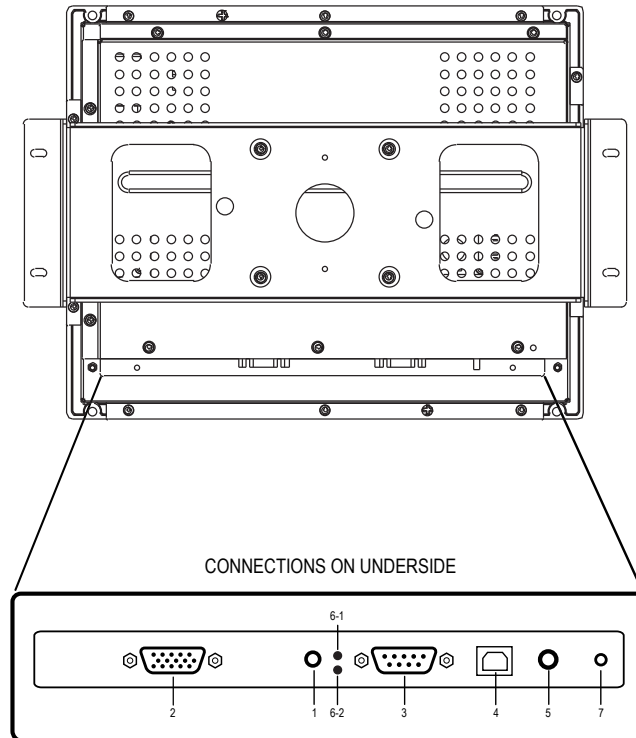
For best performance, your touchmonitor should be operating in native resolution, that is 800x600 at 60-75 Hz. Use the Display control panel in Windows to choose 800x600 resolution.

Operating in other resolutions will degrade video performance. For further information, please refer to Appendix A.

All adjustments you make to the controls are automatically memorized. This feature saves you from having to reset your choices every time you unplug or power your touchmonitor off and on. If there is a power failure your touchmonitor settings will not default to the factory specifications.



	Control	Function
1	Power Switch	Turns the display system power on or off .
2	MENU	Menu display and menu exit.
3	UP	Adjust the decreasing value of the selected OSD control options
4	DOWN	Adjusts the increasing value of the selected OSD control option.
5	AUTO/SEL	Display the OSD menu on the screen and used to select ("clockwise" and "counter-clockwise" direction) the OSD control options on the screen.



- 1 Power Connector** Connect the power adapter.
- 2 Video Connector** This can be connected with the D-sub 15 pin signal connector.
- 3 Touchscreen connector** This is for connecting the touch panel RS232 connector. (optional)
- 4 Touchscreen connector** This is for connecting the touch panel USB B TYPE connector.
- 5 OSD Remote connector** Connect the remote function key.
- 6 LED** 6-1 is indicated the status of power ON/OFF; 6-2 is indicated the status of touch controller
- 7 Power soft switch**

Controls and Adjustment

OSD Lock/Unlock

You are able to lock and unlock the OSD feature. The monitor is shipped in the unlocked position.

To lock the OSD:

- 1 Press the Menu button and **UP** button simultaneously for 2 seconds. A window will appear displaying “OSD Unlock”. Continue to hold the buttons down for another 2 seconds and the window toggles to “OSD Lock”.

Power Lock/Unlock

You are able to lock/unlock the Power feature. The monitor is shipped in the unlocked position. To lock the power:

- 1 Press the Menu button and the **DOWN** simultaneously for 2 seconds. A window for another 2 seconds and the window toggles to —Power Lock“.

OSD Menu Functions

To display the OSD Menu press the **Menu** button.

- 1 Press the **UP** button or **DOWN** button to select the different OSD control option.
- 2 When the function you want to change is displayed, press the **Select** button.

NOTE: The OSD screen will disappear if no input activities are detected for 45 seconds.

OSD Control Options

Contrast

- Adjusts the maximum luminance level of the monitor.

Brightness

- Adjust the backlight of the monitor.

V-position

- The screen is moved vertically up and down(1 line increment).

H-position

- The screen is moved vertically up and down(1 pixel pitch increment).

Recall Defaults

- Restore original factory settings.

RGB

- Sets the color temperature.

OSD Exit

- Exits the OSD menu screen.

Sharpness

- Adjusts sharpness of video.

Phase

- The phase of the dot clock is adjusted.

Clock

- The the ratio of dividing frequency of the dot clock is adjusted.

OSD H-Position

- Adjust the OSD menu screen position left or right

OSD V-Position

- Adjust the OSD menu screen position up or down.

OSD Time

- Adjusts the amount of the OSD menu displayed.

Auto Adjust

- Automatically adjusts the system clock.

OSD Language

- Select the language used for the OSD menu from among English, French, Japanese, Dutch and Spanish.

Informaton

- The frequency of the input horizontal/vertical sync signal is indicated.

TROUBLESHOOTING

If you are experiencing trouble with your touchmonitor, refer to the following table. If the problem persists, please contact your local dealer or our service center.

Solutions to Common Problems

Problem	Suggestion(s)
The monitor does not respond after you turn on the system.	<p>Check that the monitor's Power Switch is on.</p> <p>Turn off the power and check the monitor's power cord and signal cable for proper connection.</p>
Characters on the screen are dim	Refer to the <i>Controls and Adjustments</i> section to adjust the brightness.
The screen is blank	<p>During operation, the monitor screen may automatically turn off as a result of the Power Saving feature. Press any key to see if the screen reappears.</p> <p>Refer to the <i>Controls and Adjustments</i> section to adjust the brightness.</p>
Screen flashes when initialized	Turn the monitor off then turn it on again.
"Out of Range" display	<p>check to see of the resolution of your computer is higher than that of the LCD display.</p> <p>Reconfigure the resolution of your computer to make it less than or equal to 800x600. See Appendix A for more information on resolution.</p>
Touch doesn't work	Make sure cable is securely attached at both ends.



NATIVE RESOLUTION

The native resolution of a monitor is the resolution level at which the LCD panel is designed to perform best. For the Elo LCD touchmonitor, the native resolution is 800 x 600 for the 12.1 inch size. In almost all cases, screen images look best when viewed at their native resolution. You can lower the resolution setting of a monitor but not increase it.

Input Video	12.1" LCD
640x480 (VGA)	Transforms input format to 800x600
800x600 (SVGA)	Displays in Native Resolution

The native resolution of an LCD is the actual number of pixels horizontally in the LCD by the number of pixels vertically in the LCD. LCD resolution is usually represented by the following symbols:

VGA	640x480
SVGA	800x600
XGA	1024x768
SXGA	1280x1024
UXGA	1600x1200

As an example, a SVGA resolution LCD panel has 800 pixels horizontally by 600 pixels vertically. Input video is also represented by the same terms. XGA input video has a format of 1024 pixels horizontally by 768 pixels vertically. When the input pixels contained in the video input format match the native resolution of the panel, there is a one to one correspondence of mapping of input video pixels to LCD pixels. As an example, the pixel in column 45 and row 26 of the input video is in column 45 and row 26 of the LCD. For the case when the input video is at a lower resolution than the native resolution of the LCD, the direct correspondence between the video pixels and the LCD pixels is lost. The LCD controller can compute the correspondence between video pixels and LCD pixels using algorithms contained on its controller. The accuracy of the algorithms determines the fidelity of conversion of video pixels to LCD pixels. Poor fidelity conversion can result in artifacts in the LCD displayed image such as varying width characters.

B

TOUCHMONITOR SAFETY

This manual contains information that is important for the proper setup and maintenance of your touchmonitor. Before setting up and powering on your new touchmonitor, read through this manual, especially Chapter 2 (Installation), and Chapter 3 (Operation).

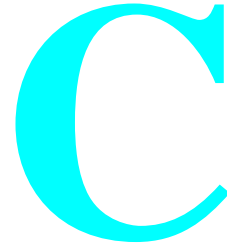
- 1** To reduce the risk of electric shock, follow all safety notices and never open the touchmonitor case.
- 2** Turn off the product before cleaning
- 3** Your new touchmonitor is equipped with a 3-wire, grounding power cord. The power cord plug will only fit into a grounded outlet. Do not attempt to fit the plug into an outlet that has not been configured for this purpose. Do not use a damaged power cord. Use only the power cord that comes with your Elo TouchSystems Touchmonitor. Use of an unauthorized power cord may invalidate your warranty.
- 4** The slots located on the sides and top of the touchmonitor case are for ventilation. Do not block or insert anything inside the ventilation slots.
- 5** It is important that your touchmonitor remains dry. Do not pour liquid into or onto your touchmonitor. If your touchmonitor becomes wet do not attempt to repair it yourself.

Care and Handling of Your Touchmonitor

The following tips will help keep your Elo touchmonitor functioning at the optimal level.

- To avoid risk of electric shock, do not disassemble the brick supply or display unit cabinet. The unit is not user serviceable. Remember to unplug the display unit from the power outlet before cleaning.
- Do not use alcohol (methyl, ethyl or isopropyl) or any strong dissolvent. Do not use thinner or benzene, abrasive cleaners or compressed air.
- To clean the display unit cabinet, use a cloth lightly dampened with a mild detergent.
- Avoid getting liquids inside your touchmonitor. If liquid does get inside, have a qualified service technician check it before you power it on again.
- Do not wipe the screen with a cloth or sponge that could scratch the surface.
- To clean the touchscreen, use window or glass cleaner. Put the cleaner on the rag and wipe the touchscreen. *Never* apply the cleaner directly on the touchscreen






TECHNICAL SPECIFICATIONS

Display Modes

Your Elo touchmonitor is compatible with the following standard video modes:

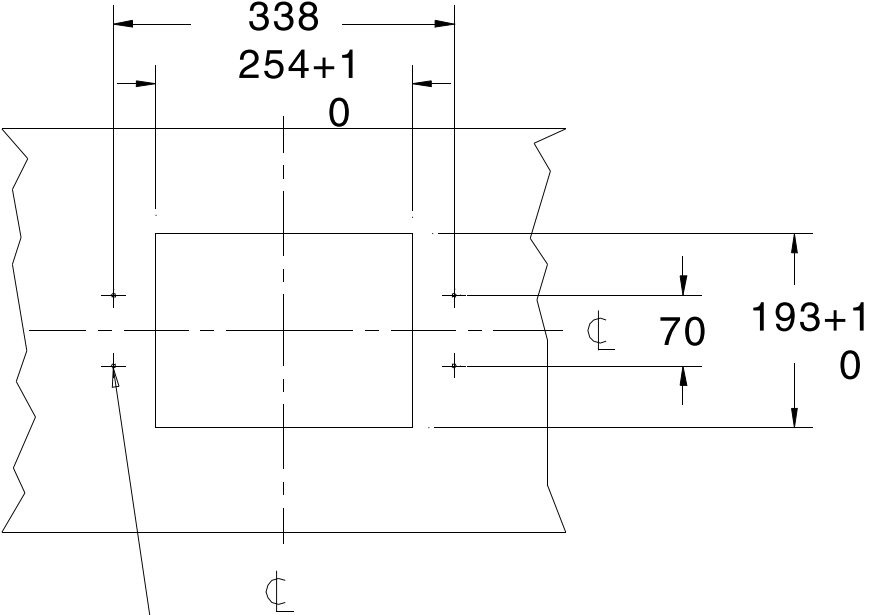
Item	Resolution	Type	H. Scan(KHz)	V. Scan(Hz)	Pol.
1	640X350	VGA	31.469	70.087	+ / -
2	720X400	VGA	31.469	70.087	- / +
3	640X480	VGA	31.469	59.940	- / -
4	640X480	VESA72	37.861	72.809	- / -
5	640X480	VESA75	37.500	75.000	- / -
6	800X600	SVGA	35.156	56.250	+ / +
7	800X600	SVGA	37.879	60.317	+ / +
8	800X600	VESA72	48.077	72.188	+ / +
9	800X600	VESA75	46.875	75.000	+ / +

Touchmonitor Specifications

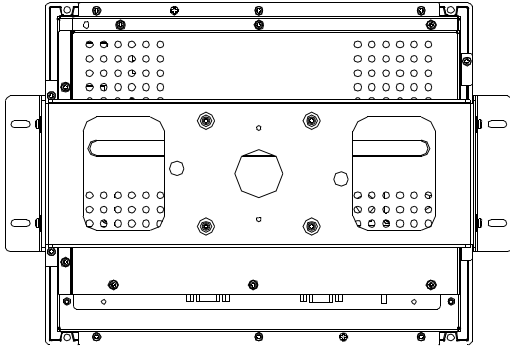
Model		ET1247L
LCD Display		12.1" TFT Active Matrix Panel
Display Size		246(H) x 184.5(V) mm
Pixel Pitch		0.3075(H) x 0.3075(V) mm
Display Mode		VGA 640 x 350 (70Hz) VGA 720 x 400 (70Hz) VGA 640 x 480 (60 / 72 / 75Hz) SVGA 800 x 600 (56 / 60 / 72 / 75Hz)
Max. Resolution		SVGA 800 x 600
Contrast Ratio		450 : 1 (typical)
Brightness		315 Cd/m ² wo/touch; 315 Cd/m ² w/IT touch
Response Time		45 ms (typ.)
Display Color		262K
Viewing Angle		+65° ~ -65° (L/R), +60° ~ -45° (U/D) (typical)
Input Signal	Video	R.G.B. Analog 0.7V _{peak to peak}
	Sync	TTL Positive or Negative
Signal Connector		15 Pin Mini D-Sub
Rear Control		Power on / off , Menu / Select (up, down), Adjustment (+, -) Brightness, Contrast, Contrast, Color, Auto Tune
OSD		H/V-Position, Frequency, Phase, Track, Text/GRP, Mode Inf., Recall
Plug & Play		DDC1 / 2B
Touch Panel (optional)		IntelliTouch
Power Adapter		Input AC 100-240V, 50-60Hz, Output DC 12V/3.3A (max.)
Operating Conditions	Temperature	0°C ~ 40°C (32°F ~ 104°F)
	Humidity	20% ~ 85% (No Condensation)
	Altitude	To 10,000 Feet
Storage Conditions	Temperature	-20°C ~ 60°C (-4°F ~ 140°F)
	Humidity	5% ~ 95% (No Condensation)
Dimensions (HxWxD)		242 x 302.5 x 60mm
Weight (Net)		4Kg
Certifications		 , TUV-BAUART, TUV Argentina S mark, FCC, CE, C-Tick, MPR II and VCCI

Mounting Options

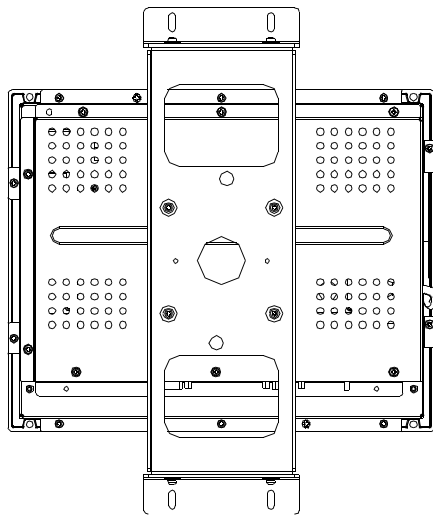
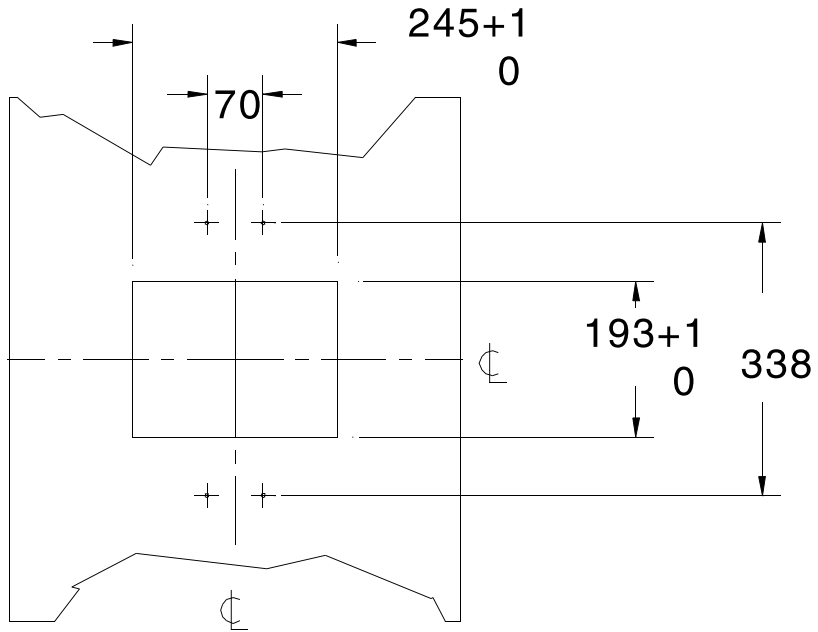
Horizontal Mount



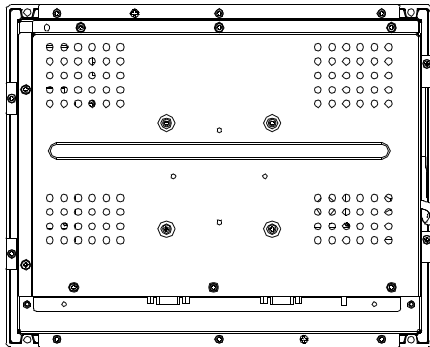
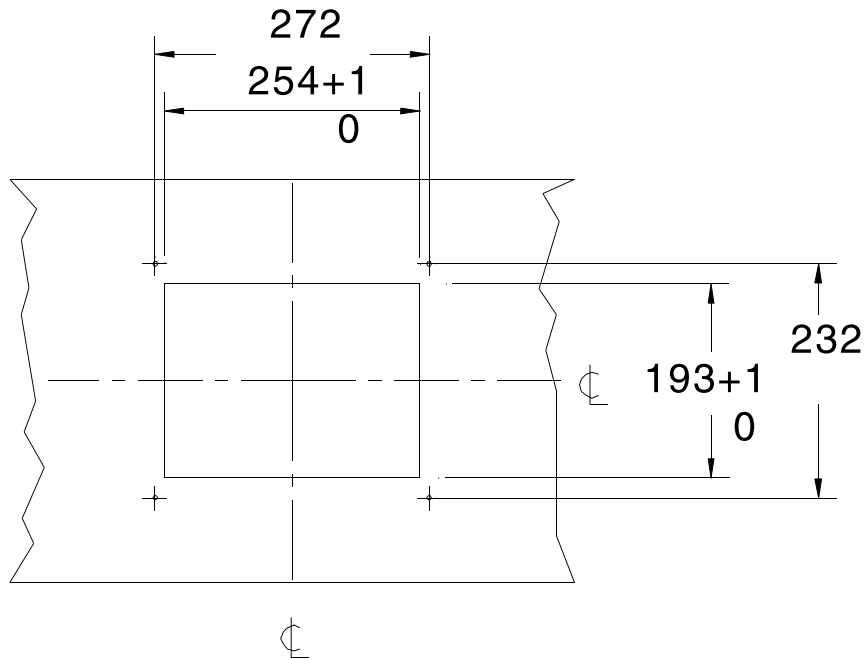
4X Customer Option
See Notes

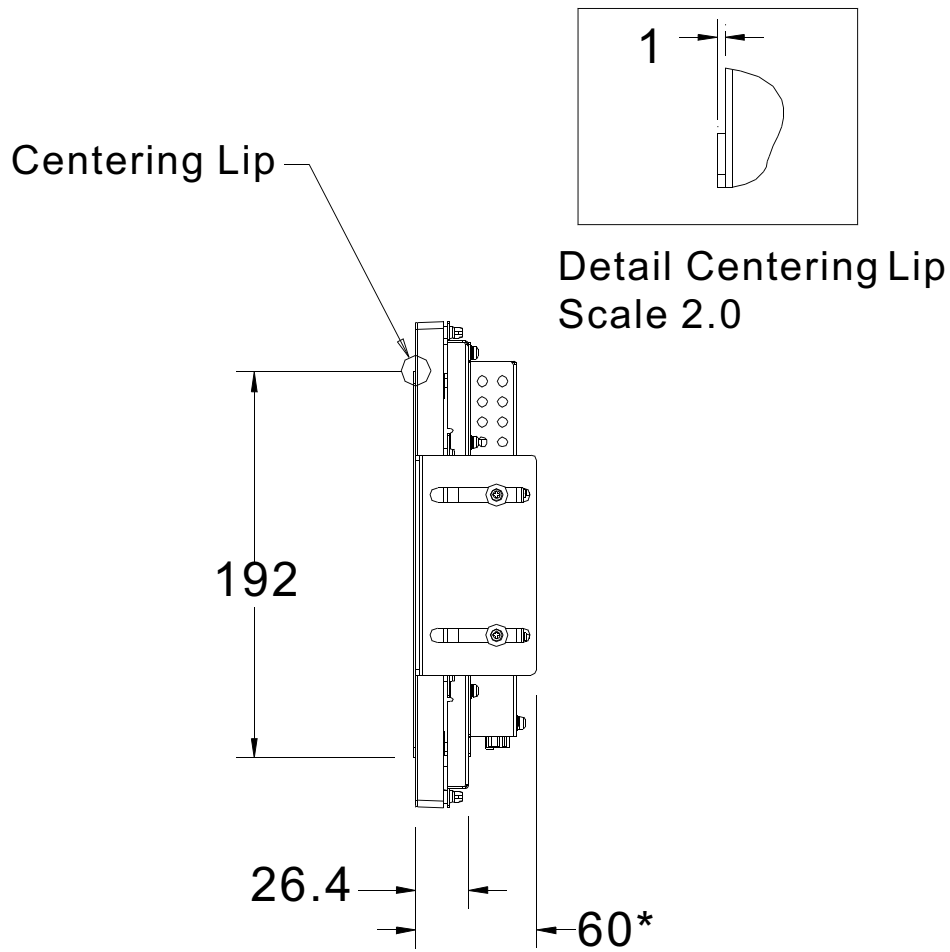


Vertical Mount



No Bracket Mount





*Noted dimensions are for non-touch, AccuTouch, and IntelliTouch only. For SecureTouch and Infrared add 3.5mm to each dimension

Notes for all Mounting Options

1. All drawing centers are the center of the viewable area.
2. LCD Panel Cutout dimensions in option 1 applies to all mounting options.
3. If customer kiosk material is wood:
 \varnothing 4.5 holes thru for M4 screws with nuts, or no thru holes, screws for wood \varnothing 4.
4. If customer kiosk material is sheet metal:
 Concealed head threaded studs M4 with nuts

REGULATORY INFORMATION

I. Electrical Safety Information:

A) Compliance is required with respect to the voltage, frequency, and current requirements indicated on the manufacturer's label. Connection to a different power source than those specified herein will likely result in improper operation, damage to the equipment or pose a fire hazard if the limitations are not followed.

B) There are no operator serviceable parts inside this equipment. There are hazardous voltages generated by this equipment which constitute a safety hazard. Service should be provided only by a qualified service technician.

C) This equipment is provided with a detachable power cord which has an integral safety ground wire intended for connection to a grounded safety outlet.

1) Do not substitute the cord with other than the provided approved type. Under no circumstances use an adapter plug to connect to a 2-wire outlet as this will defeat the continuity of the grounding wire.

2) The equipment requires the use of the ground wire as a part of the safety certification, modification or misuse can provide a shock hazard that can result in serious injury or death.

3) Contact a qualified electrician or the manufacturer if there are questions about the installation prior to connecting the equipment to mains power.

II. Emissions and Immunity Information

A) Notice to Users in the United States: This equipment has been tested and found to comply with the limits for a Class B digital device, pursuant to Part 15 of FCC Rules. These limits are designed to provide reasonable protection against harmful interference in a residential installation. This equipment generates, uses, and can radiate radio frequency energy, and if not installed and used in accordance with the instructions, may cause harmful interference to radio communications.

B) Notice to Users in Canada: This equipment complies with the Class B limits for radio noise emissions from digital apparatus as established by the Radio Interference Regulations of Industrie Canada.

C) Notice to Users in the European Union: Use only the provided power cords and interconnecting cabling provided with the equipment. Substitution of provided cords and cabling may compromise electrical safety or CE Mark Certification for emissions or immunity as required by the following standards:

This Information Technology Equipment (ITE) is required to have a CE Mark on the manufacturer's label which means that the equipment has been tested to the following Directives and Standards:

This equipment has been tested to the requirements for the CE Mark as required by EMC Directive 89/336/EEC indicated in European Standard EN 55 022 Class B and the Low Voltage Directive 73/23/EEC as indicated in European Standard EN 60 950.

D) General Information to all Users: This equipment generates, uses and can radiate radio frequency energy. If not installed and used according to this manual the equipment may cause interference with radio and television communications. There is, however, no guarantee that interference will not occur in any particular installation due to site-specific factors.

1) In order to meet emission and immunity requirements, the user must observe the following:

- a) Use only the provided I/O cables to connect this digital device with any computer.
- b) To ensure compliance, use only the provided manufacturer's approved line cord.
- c) The user is cautioned that changes or modifications to the equipment not expressly approved by the party responsible for compliance could void the user's authority to operate the equipment.

2) If this equipment appears to cause interference with radio or television reception, or any other device:

- a) Verify as an emission source by turning the equipment off and on.
- b) If you determine that this equipment is causing the interference, try to correct the interference by using one or more of the following measures:
 - i) Move the digital device away from the affected receiver.
 - ii) Reposition (turn) the digital device with respect to the affected receiver.
 - iii) Reorient the affected receiver's antenna.
 - iv) Plug the digital device into a different AC outlet so the digital device and the receiver are on different branch circuits.
 - v) Disconnect and remove any I/O cables that the digital device does not use. (Unterminated I/O cables are a potential source of high RF emission levels.)
 - vi) Plug the digital device into only a grounded outlet receptacle. Do not use AC adapter plugs. (Removing or cutting the line cord ground may increase RF emission levels and may also present a lethal shock hazard to the user.)

If you need additional help, consult your dealer, manufacturer, or an experienced radio or television technician.



FC Tested To Comply
With FCC Standards
FOR HOME OR OFFICE USE



MPR II

WARRANTY

Except as otherwise stated herein or in an order acknowledgment delivered to Buyer, Seller warrants to Buyer that the Product shall be free of defects in materials and workmanship. The warranty for the touchmonitors and components of the product is 3 years.

Seller makes no warranty regarding the model life of components. Seller's suppliers may at any time and from time to time make changes in the components delivered as Products or components.

Buyer shall notify Seller in writing promptly (and in no case later than thirty (30) days after discovery) of the failure of any Product to conform to the warranty set forth above; shall describe in commercially reasonable detail in such notice the symptoms associated with such failure; and shall provide to Seller the opportunity to inspect such Products as installed, if possible. The notice must be received by Seller during the Warranty Period for such product, unless otherwise directed in writing by the Seller. Within thirty (30) days after submitting such notice, Buyer shall package the allegedly defective Product in its original shipping carton(s) or a functional equivalent and shall ship to Seller at Buyer's expense and risk.

Within a reasonable time after receipt of the allegedly defective Product and verification by Seller that the Product fails to meet the warranty set forth above, Seller shall correct such failure by, at Seller's options, either (i) modifying or repairing the Product or (ii) replacing the Product. Such modification, repair, or replacement and the return shipment of the Product with minimum insurance to Buyer shall be at Seller's expense. Buyer shall bear the risk of loss or damage in transit, and may insure the Product. Buyer shall reimburse Seller for transportation cost incurred for Product returned but not found by Seller to be defective. Modification or repair, of Products may, at Seller's option, take place either at Seller's facilities or at Buyer's premises. If Seller is unable to modify, repair, or replace a Product to conform to the warranty set forth above, then Seller shall, at Seller's option, either refund to Buyer or credit to Buyer's account the purchase price of the Product less depreciation calculated on a straight-line basis over Seller's stated Warranty Period.

THESE REMEDIES SHALL BE THE BUYER'S EXCLUSIVE REMEDIES FOR BREACH OF WARRANTY. EXCEPT FOR THE EXPRESS WARRANTY SET FORTH ABOVE, SELLER GRANTS NO OTHER WARRANTIES, EXPRESS OR IMPLIED BY STATUTE OR OTHERWISE, REGARDING THE PRODUCTS, THEIR FITNESS FOR ANY PURPOSE, THEIR QUALITY, THEIR MERCHANTABILITY, THEIR NONINFRINGEMENT, OR OTHERWISE. NO EMPLOYEE OF SELLER OR ANY OTHER PARTY IS AUTHORIZED TO MAKE ANY WARRANTY FOR THE GOODS OTHER THAN THE WARRANTY SET FORTH HEREIN. SELLER'S LIABILITY UNDER THE WARRANTY SHALL BE LIMITED TO A REFUND OF THE PURCHASE PRICE OF THE PRODUCT. IN NO EVENT SHALL SELLER BE LIABLE FOR THE COST OF PROCUREMENT OR INSTALLATION OF SUBSTITUTE GOODS BY BUYER OR FOR ANY SPECIAL, CONSEQUENTIAL, INDIRECT, OR INCIDENTAL DAMAGES.

Buyer assumes the risk and agrees to indemnify Seller against and hold Seller harmless from all liability relating to (i) assessing the suitability for Buyer's intended use of the Products and of any system design or drawing and (ii) determining the compliance of Buyer's use of the Products with applicable laws, regulations, codes, and standards. Buyer retains and accepts full responsibility for all warranty and other claims relating to or arising from Buyer's products, which include or incorporate Products or components manufactured or supplied by Seller. Buyer is solely responsible for any and all representations and warranties regarding the Products made or authorized by Buyer. Buyer will indemnify Seller and hold Seller harmless from any liability, claims, loss, cost, or expenses (including reasonable attorney's fees) attributable to Buyer's products or representations or warranties concerning same.



INDEX



Numerics

12.1" LCD Touchmonitor (ET1247L-XXWC-1-G) Dimensions, 26

A

About the Product, 2
About Touchmonitor Adjustments, 9
Auto Adjust, 14

B

Brightness, 13

C

Care and Handling of Your Touchmonitor, 20
Cleaning Your Touchmonitor, 20
Clock, 13
Contrast, 13

D

Display Modes, 21

E

Electrical Safety Information, 27
Emissions and Immunity Information, 27
Expansion, 15

H

Horizontal Mount, 23
H-position, 14

I

Image problem, 15
Image, scrolling, 15
Installation and Setup, 3
Installing the Driver Software, 6
Installing the Serial Touch Driver, 7
Installing the Serial Touch Driver for MS-DOS and
Windows 3.1, 8
Installing the Serial Touch Driver for Windows XP, 2000, Me,
95/98 and NT 4.0, 7
Information, 14

L

Language, 13

M

Mode Information, 15
Mounting options, 23

N

Native Resolution, 17
No Bracket Mount, 25

O

OSD Control Options, 13
OSD Exit, 13
OSD H-Position, 13
OSD Language, 14
OSD Menu Functions, 12
OSD Time, 13
OSD V-Position, 13

P

Phase, 13
Precautions, 1
Product Description, 1

R

Recall Defaults, 13
Regulatory Information, 27
RGB, 13

S

Sharpness, 13
Solutions to Common Problems, 17
SVGA, 19

T

Technical Specifications, 23

Touch not working, 15
Touchmonitor Safety, 19
Touchmonitor Specifications, 22
Troubleshooting, 15

U

Unpacking Your Touchmonitor, 3
UXGA, 17

V

Vertical Mount, 24
V-Position, 13
VGA, 17

W

Warranty, 31

X

XGA, 17

Check out Elo's Web site!

www.elotouch.com

Get the latest...

• **Product information**

• **Specifications**

• **News on upcoming events**

• **Press releases**

• **Software drivers**

Getting in Touch with Elo

To find out more about Elo's extensive range of touch solutions, visit our Web site at www.elotouch.com or simply call the office nearest you:

USA

Elo TouchSystems, Inc.
6500 Kaiser Drive
Fremont, CA 94555-3613

(800) ELO-TOUCH (800-356-8682)
Tel 510-739-5016
Fax 510-790-0627
eloinfo@elotouch.com

Germany

Elo TouchSystems GmbH & Co. KG
Haidgraben 6
D-85521 Ottobrunn
Germany

Tel +49(89)60822-0
Fax +49(89)60822-150
elosales@elotouch.com

Belgium

Elo TouchSystems
Diestsesteenweg 692
B-3010 Kessel-Lo
Belgium

Tel +32(16) 35-2100
Fax +32(16) 35-2101
elosales@elotouch.com

Japan

Touch Panel Systems K.K
Sun Homada Bldg. 2F
1-19-20 Shin-Yokohama,
Kanagawa 222-0033
Japan

Tel +81(45)478-2161
Fax +81(45)478-2180
www.tps.co.jp

tyco

Electronics

